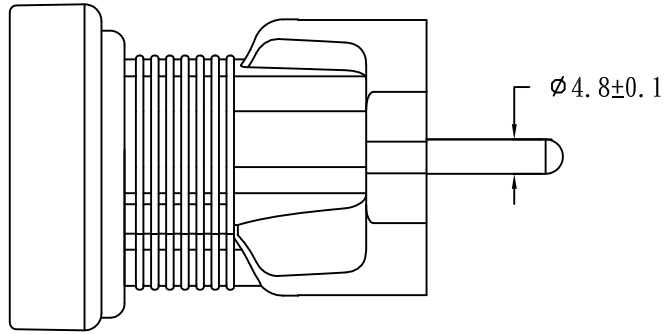
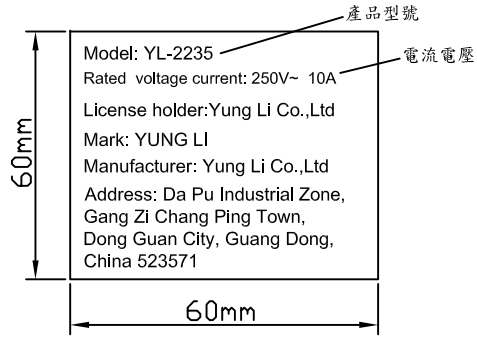
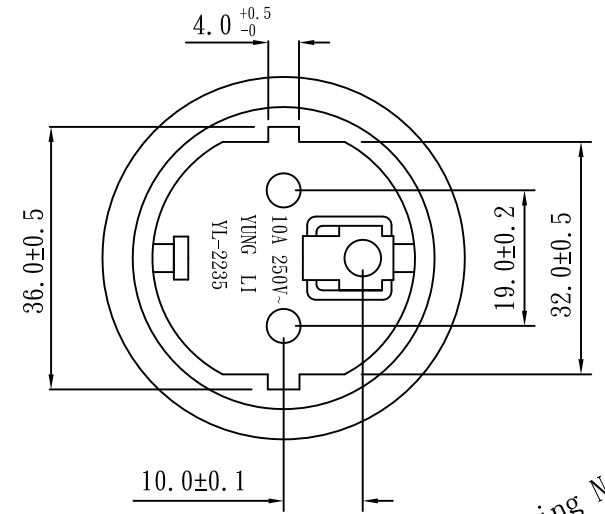
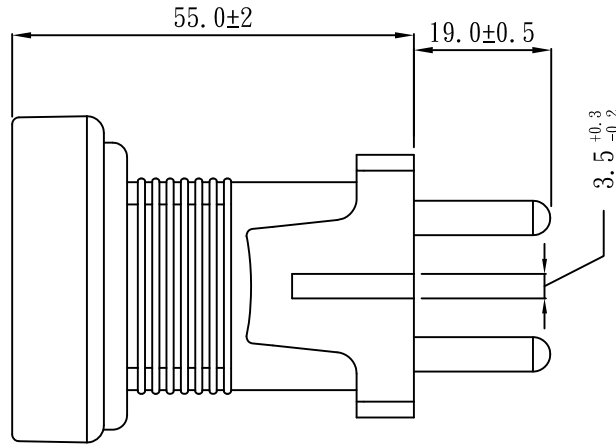
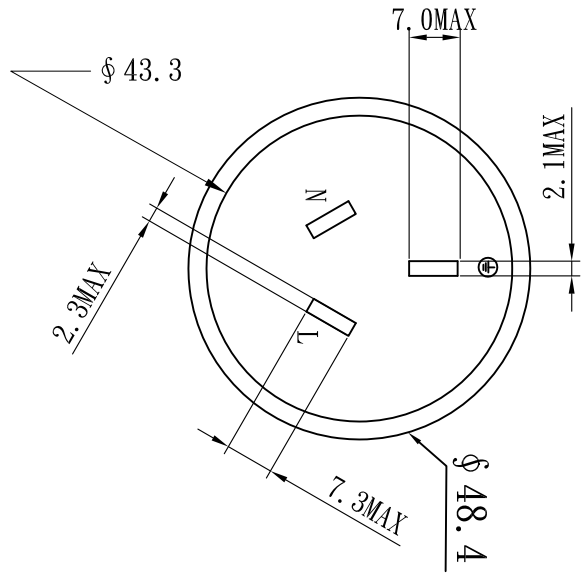


外箱標籤:每箱貼一張



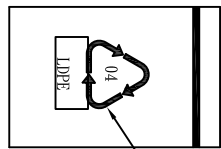
Note:

- 1.Rating:10A 250V
- 2.Insulation Resistance:100M Ω
- 3.Dielectric Voltage:2000V/sec

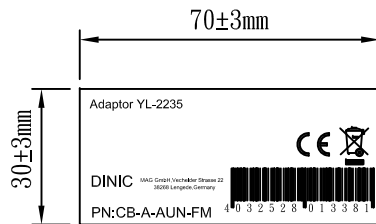


Sample Drawing No.:
SP210713-02

標籤貼在環保標誌的背面



BLACK LOGO



Tolerance >0±0.30 >1.0±0.50 >10.0±1.0 >20.0±2.0 Angle: ±1°	Approved		Date		YUNG LI CO.,LTD			
	Checked		Date					
	Drawn	SUKI	Date	21.07.13	Customer	MAG		
	Cat. No.	YL-2235			P/N.	CB-A-AUN-FM		
	Drawing No.	CY-A2235	Rev.	B	Material	P.V.C	Unit	mm
				HEFT(g)				