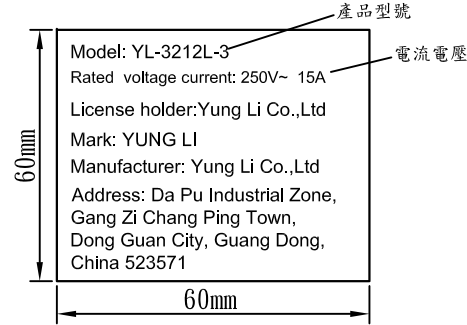
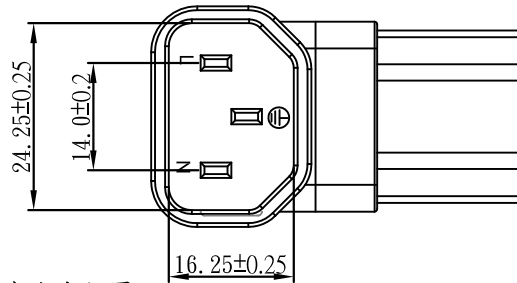


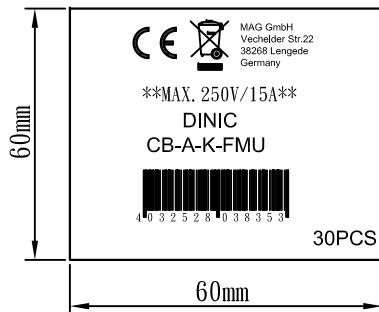
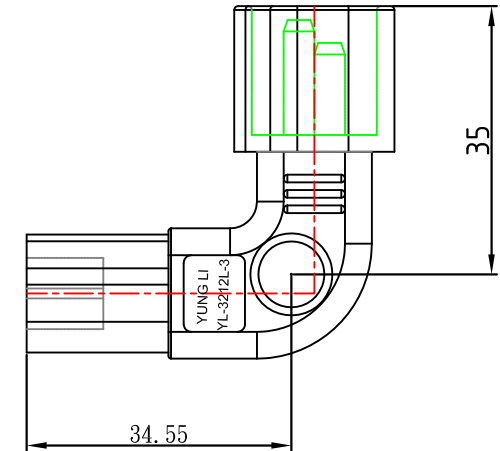
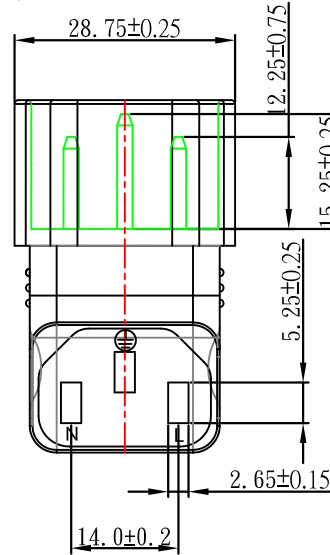
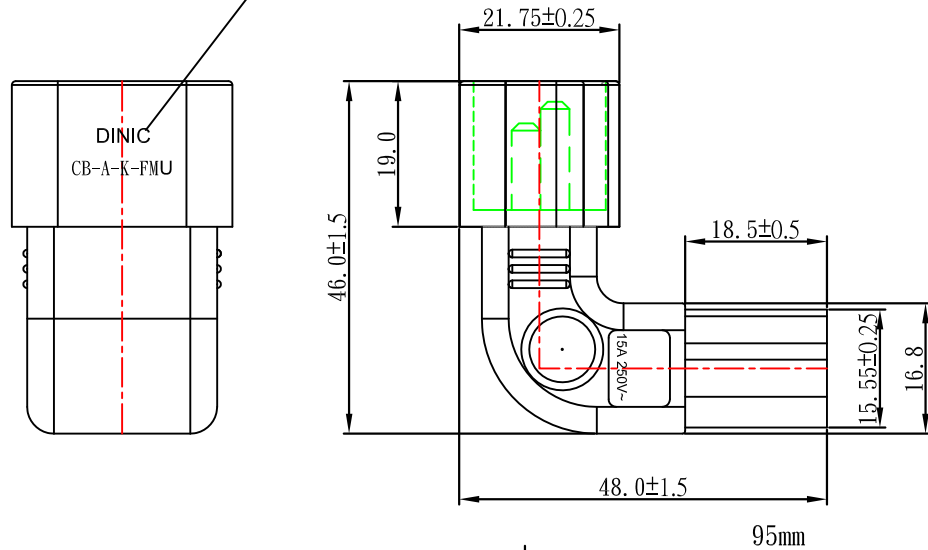
外箱標籤：每箱貼一張

Note:

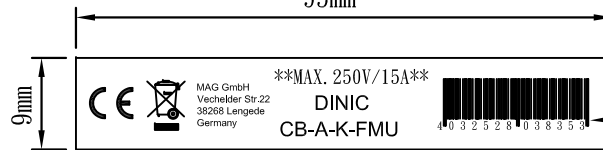
1. Rating: 15A 250V
2. Insulation Resistance: 100MΩ
3. Dielectric Voltage: 2000V/sec



平齊此處貼標籤，文字方向如圖



袋子標籤：每袋裝30PCS，貼一張標籤



掃描內容為：
4032528038353

Sample Drawing No. :
SP230130-06

TOLERANCE >0±0.30 >1.0±0.50 >10.0±1.0 >20.0±2.0 Angle: ±1°	APPROVED	DATE	YUNG LI CO.,LTD			
	CHECKED	DATE				
	DRAWN	SUKI	DATE	23.01.30	CUSTOMER	MAG
	TYPE	YL-3212L-3		P/N	CB-A-K-FMU	
	DRAWING NO.	REV	B	MATERIAL	P. V. C	UNIT
			SCALE	1:1		