

東莞永力電業有限公司

YUNG LI CO., LTD

Da Pu Industrial Zone, Gang Zi, Changping Town,
Dong Guan City, Guangdong 523571 China.P.R.C

TEL:0769-83396797~8

FAX:0769-83396796

E-mail: sales@yung-li.com

Description: YP-HCS/YC-1J

Customer: _SY

Parts No. : UT?CK?g] ?CES

Draw No. :

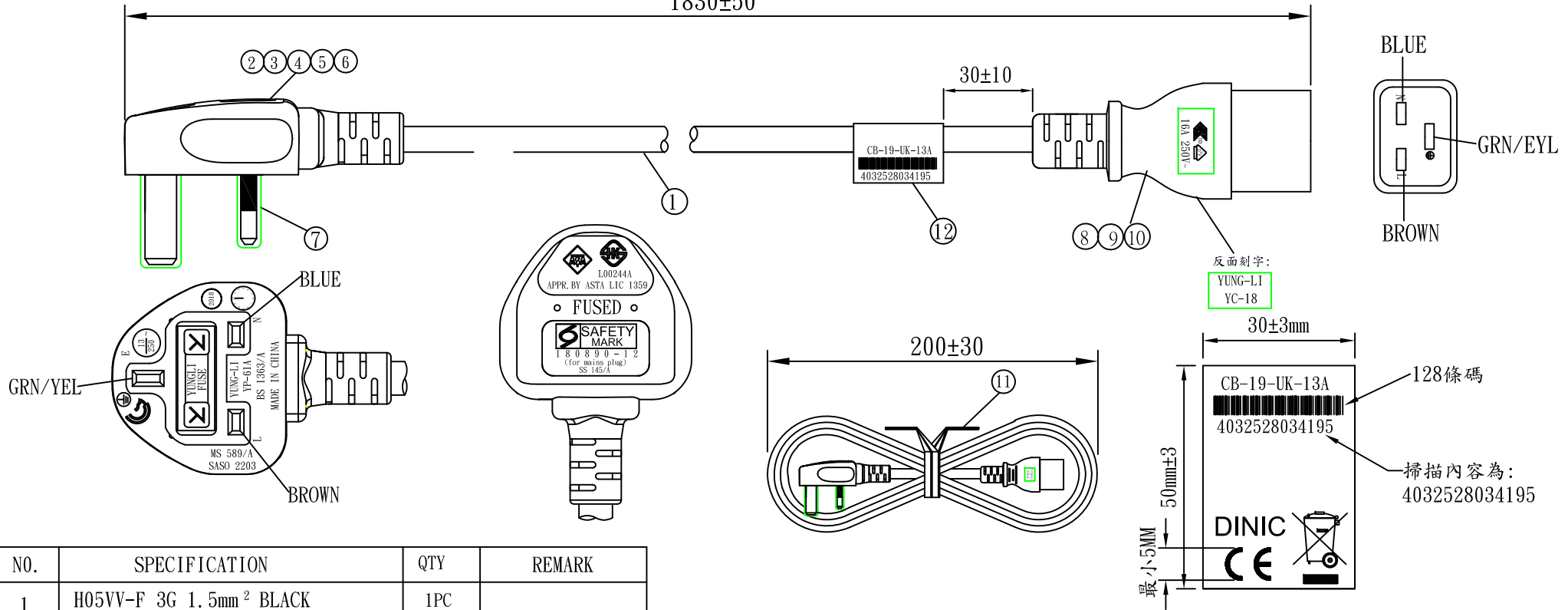
REVISION RECORD

| | | |
|---|--|--|
| 1 | | |
| 2 | | |
| 3 | | |
| 4 | | |
| 5 | | |

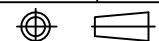

| YUNG LI | |
|---------|-------------|
| CHECKED | PREPARED BY |
| | |

| CUSTOMER | APPROVED |
|----------|----------|
| | |

1830±50



| NO. | SPECIFICATION | QTY | REMARK |
|-----|-------------------------------------|--------|--------|
| 1 | H05VV-F 3G 1.5mm ² BLACK | 1PC | |
| 2 | YP-61A PVC PLASTIC:60P BLACK | 45g/PC | |
| 3 | FRAME: BLACK | 1PC | |
| 4 | FUSE LID | 1PC | |
| 5 | FRAME LID | 1PC | |
| 6 | FUSE:13A | 1PC | |
| 7 | SLEEVE WHITE | 1PC | |
| 8 | YC-18 INNER BODY | 1PC | |
| 9 | YC-18 TER | 1PC | |
| 10 | YC-18 PVC PLASTIC:50P BLACK | 25g/PC | |
| 11 | MINI TIE:L=130mm BLACK | 1PC | |
| 12 | LABEL:50*30mm | 1PC | |

| | | | | | | | | |
|--|-------------|-------------|------|----------|------------------|---|---|----|
| TOLERANCE >0±0.30 >1.0±0.50 >10.0±1.0 >20.0±2.0 Angle: ±1° | APPROVED | | DATE | | YUNG LI CO., LTD | | | |
| | CHECKED | | DATE | | | | | |
| | DRAWN | SUKI | DATE | 20.11.06 | CUSTOMER | MAG | | |
| | TYPE | YP-61/YC-18 | | | P/N | CB-19-UK-13A | | |
| | DRAWING NO. | | REV | B | MATERIAL | P. V. C | UNIT | mm |
| | | | | SCALE | |  |  | |

Sample Drawing No.:
SP201106-03

MARKING: YP-61A YUNG-LI

$\frac{13}{250}$

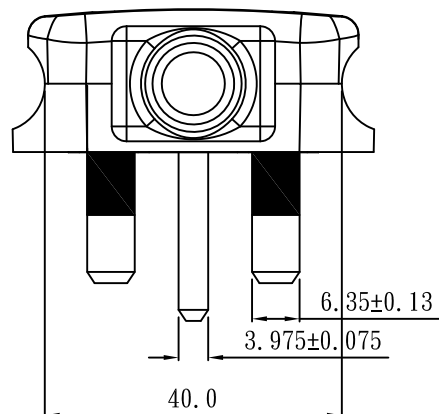
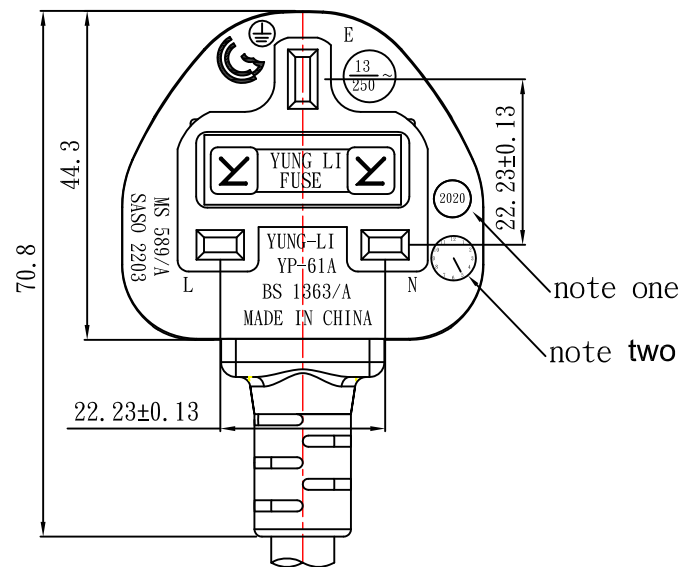
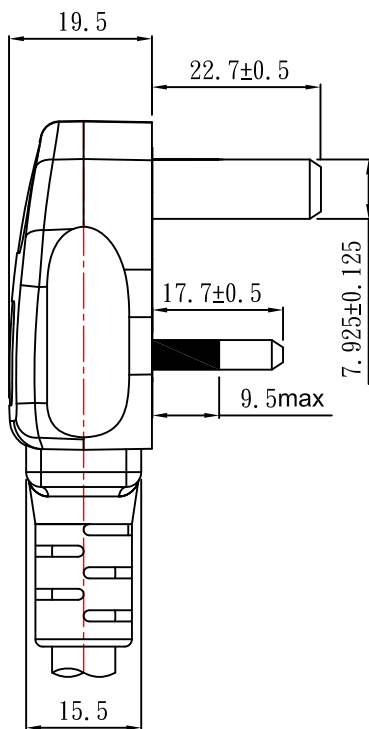
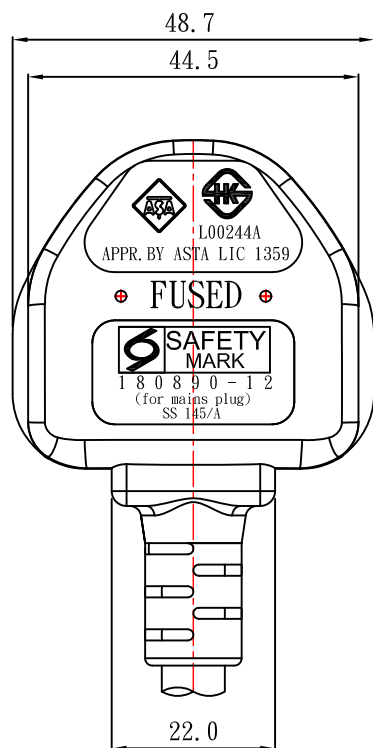
BS1363/A (2020)
MADE IN CHINA



APPR. BY ASTA LIC 1359



SASO 2203 MS 589/A

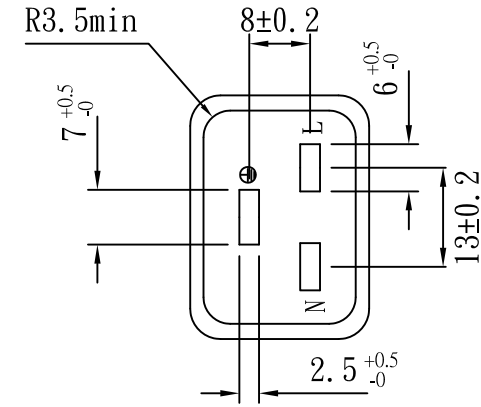
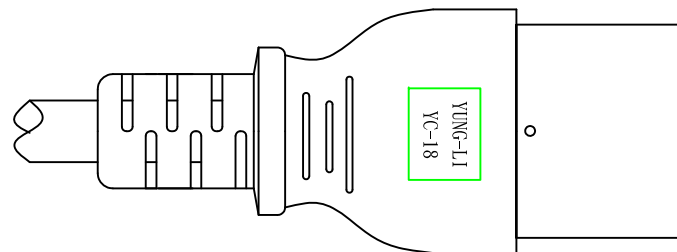
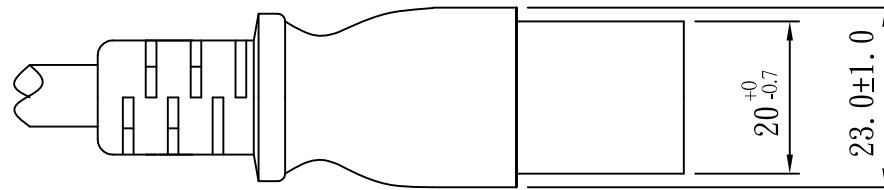
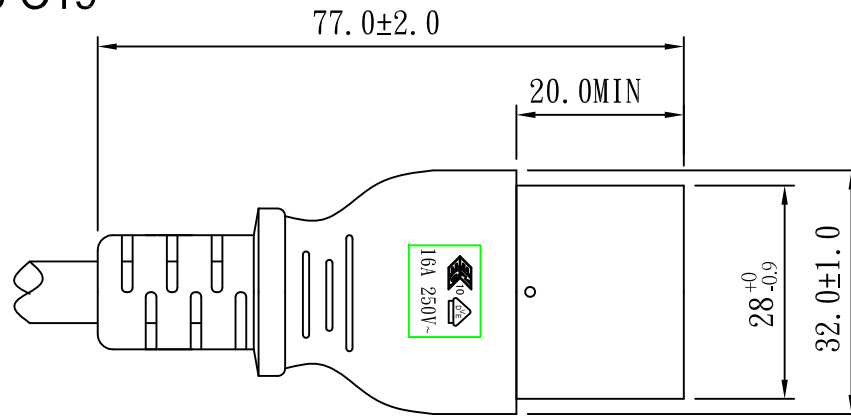


note one: production of year. (must be changed every year)

note two: production of month point (must be changed every month)

| | | | | | | | | |
|--|-------------|--------|------|---|------------------|-----|------|----|
| TOLERANCE >0±0.30 >1.0±0.50 >10.0±1.0 >20.0±2.0 Angle: ±1° | APPROVED | | DATE | | YUNG LI CO., LTD | | | |
| | CHECKED | | DATE | | | | | |
| | DRAWN | | DATE | | CUSTOMER | | | |
| | TYPE | YP-61A | | | P/N | | | |
| | DRAWING NO. | | REV | B | SCALE | 1:1 | UNIT | mm |

IEC 60320 C19



| | | | | | | | | |
|---|-------------|-------------|------|-------|------------------------|---------|------|----|
| Tolerance >0±0.30 >1.0±0.50 >10.0±1.0 >20.0±2.0 Angle: ±1° | Approved | | Date | | YUNG LI CO.,LTD | | | |
| | Checked | | Date | | | | | |
| | Drawn | | Date | | Customer | | | |
| | Cat. No. | YC-18(ENEC) | | | P/N. | | | |
| | Drawing No. | | Rev. | B | Material | P. V. C | Unit | mm |
| | | | | Scale | | | | |

YUNG LI CO., LTD

SPECIFICATION

| | | | |
|-----------|-------|-------------------------------------|-------------|
| Yung Li | Style | PVC FLEXIBLE CORDS | Document No |
| 2019.4.17 | | | |
| Edition | Size | H05VV-F 3G 1.5mm² | Page |
| A | | | 1/2 |








1. Standard: IEC 60227 IEC60228

2. Construction & Dimension

| | Item | Specification |
|---------------|--------------------------------|-------------------------|
| Conductor | Size | 3G 1.5mm ² |
| | Material | Annealed Bare Copper |
| | Construction | 48/ ϕ 0.202±0.01 |
| Insulation | Material | PVC |
| | Minimum Average Thickness | 0.70mm |
| | Minimum Thickness at any point | 0.53mm |
| | Diameter | 3.05± 0.10 |
| | Identification | Blue,Brown,Green/Yellow |
| Core Assembly | Core Twist | 3-Core |
| | Filler | NA |
| | Assembly Pair | NA |
| Taping | Mylar Foil | NA |
| Shielded | A1-Mylar Foil | NA |
| Drain | Material | NA |
| | Construction | NA |
| Jacket | Material | NA |
| | Minimum Average Thickness | 0.9mm |
| | Minimum Thickness at any point | 0.67mm |
| | Overall Diameter(Approx) | 8.5± 0.15 |
| | Color | Any colour |

Marking:

Yung Li Co., Ltd. H05VV-F 3G 1.5mm² <VDE> NF-USE 1347  KEMA-KEUR  <OVE>

     IEMMEQU SAA-190646-EA  A004049 60227 IEC 53(RVV) 300/500V  SU01027-4002

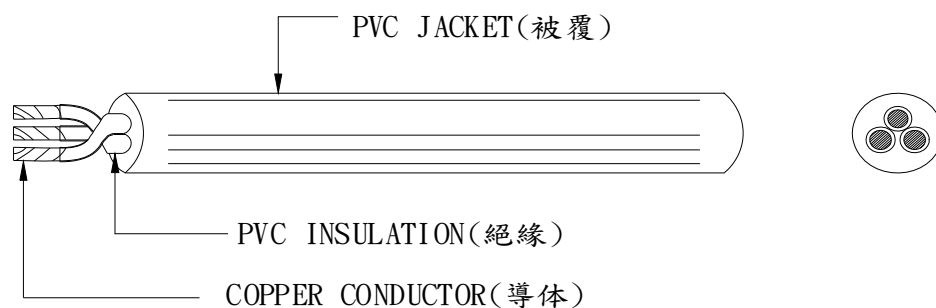
YUNG LI CO., LTD

SPECIFICATION

| | | | |
|-----------|-------|-------------------------------------|-------------|
| Yung Li | Style | PVC FLEXIBLE CORDS | Document No |
| 2019.4.17 | | | |
| Edition | Size | H05VV-F 3G 1.5mm² | Page |
| A | | | 2/2 |

| 4. Electrical & Physical Properties | | | |
|-------------------------------------|-------------------|-----------------------------|------------------------------|
| Item | | Specification | |
| Rating Voltage | | 300/500V | |
| Maximum Temperature Rating | | 70°C | |
| Conductor resistance(AT 20°C) | | 13.3 Ω/Km Max | |
| Insulation Resistance(AT 70°C) | | 0.010MΩ/Km Min | |
| Dielectric Strength | | AC 2.0 KV / 15MIN No Break | |
| Spark Test | | 5KV | |
| Insulation | Unaged | Tensile Strength | 1.02 kgf/mm ² min |
| | | Elongation | 150% Min |
| | Aged | Tensile Strength | 80~120% (80°C x168hrs) |
| | | Elongation | 80~120% (80°C x168hrs) |
| | Loss of mass Test | | 2.0mg/cm ² (max) |
| | Jacket | Unaged | Tensile Strength |
| Elongation | | | 150% Min |
| Aged | | Tensile Strength | 80~120% (80°C x168hrs) |
| | | Elongation | 80~120% (80°C x168hrs) |
| Loss of mass Test | | 2.0mg/cm ² (max) | |
| Deformation Test | | 70±4°C X 1hr ≤ 50% | |
| Cold Bend Test | | -15°C x 4hr No Crack | |
| Heat Shock Test | | 150±2°C x 1hr No Crack | |

Graph:





ASTA Licence



This Licence authorises use of the

ASTA Diamond Mark

Licence No. 1359

Organisation:

Yung Li Company Limited

Da Pu Industrial Zone, Chang Ping Town, Dongguan City, 523571
China

The **ASTA Diamond Mark** is a symbol of electrical safety. It provides evidence for customers and authorities that Intertek has independently tested and certified the product's compliance to applicable safety standards, also that Intertek monitors production and testing to ensure subsequent production continues to comply with stated standards.

This Licence is valid until the review date or earlier if preceded by the withdrawal of the Approval Standard or otherwise withdrawn by the Certification Body. Current validity status can be confirmed by contacting: Intertek (ASTA office) Centre Court Meridian Business Park Leicester LE19 1WD United Kingdom Tel: +44 (0)116 263 0330 asta@intertek.com

Details of Approved variants, components and sites are given on Endorsements to this Licence (3 pages)

Product:

Designation:

Colour(s):

250 Volts a.c. 50 Hz

Non-rewirable

Crimped terminations

Solid moulded-on construction

Fused Plug

YP-61A

All Colours

13 Amperes

Rough use (BS1363/A)

Solid nickel-plated brass L & N pins

Brass E pin, alternatively ISOD

Approval Standard:

BS 1363-1: 2016 + A1:2018

Issue number:

1

Review date:

30th April 2023

Factory Reference:

LQ-494

R W Hayward

Name

Signature

20th July 2018

Date



010

ASTA Certificates, ASTA Licences and ASTA Test Reports

ASTA Certificates, ASTA Licences and ASTA Test Reports are issued by Intertek for the exclusive use of the party applying for the Certificate, Licence or Test Report and any related testing. Intertek assumes no liability to any parties other than those with which it has an agreement and then only in accordance with the agreed Terms and Conditions.

The Applicant is authorised to copy or distribute ASTA Certificates, ASTA Licences and ASTA Test Reports provided the entire contents are included, or Certificate Front Sheets accompanied by any associated pages on which are stated the assigned rated characteristics and no part is obscured or illegible, or Licence front sheets. Permission must be obtained from Intertek before any other kind of reproduction is made.

The holder of an ASTA Certificate may claim in Trade Journals, Catalogues, Technical Articles etc., and without the prior approval of Intertek that the product identified in an ASTA Certificate is ASTA Certified. The holder of an ASTA Licence may claim in Trade Journals, Catalogues, Technical Articles etc., and without the prior approval of Intertek that the product identified in an ASTA Licence is ASTA Approved. To minimise the possibility of any misunderstanding such claims must clearly identify the product(s) certified or approved, the ratings verified by ASTA and the Standard against which certification/approval has been made.

Any other use of the Intertek or ASTA names must first be approved in writing by Intertek. Test results and ratings proven by testing included in ASTA Certificates and ASTA Test Reports relate specifically to the sample(s) tested.

Types of ASTA Certificates

Certificates are issued when samples of a particular product design have been tested satisfactorily against the requirements of a National, European, International or ASTA Standard. Several forms of Certificate are available, including:

Certificate of Complete Compliance

Verifies compliance with all the requirements of a Standard

Certificate of Type/Verification Tests

Verifies complete series of type/verification tests prescribed in a Standard has been made successfully

Certificate of Selected Type/Verification Tests

Verifies specified type/verification tests have been made successfully

Supplementary Certificate

Extends the scope of an existing Certificate to cover changes in rating or in design

ASTA Test Report

An ASTA Test Report is issued when tests otherwise satisfactory cannot be included in a Certificate for one or more reasons, e.g. verification of non-standard ratings.

ASTA Licences and ASTA Diamond Mark

The use of the ASTA Diamond Mark on products is authorised by an ASTA Licence. Products covered by an ASTA Licence can be referred to as ASTA Approved. Requirements for ASTA Licences include testing for full compliance with relevant standards and satisfactory, on-going assessment of production. Validity and use of ASTA Licences are subject to compliance with Intertek Certification Regulations. For more information see <http://client-webex.intertek.com/europeinspection/default.aspx>

Short-Circuit Testing Liaison (STL)

Intertek (ASTA) is a member of the Short-Circuit Testing Liaison. For further details please refer to <http://stl-liaison.org>

Authenticity

Authenticity of any ASTA document can be confirmed by contacting the Intertek office detailed on the front of this document.

Test Verification of Conformity

Verification Number: 180731117GZU-001VOC

On the basis of the tests undertaken, the sample<s> of the below product have been found to comply with the requirements of the referenced specification<s>/standard<s> at the time the tests were carried out. This verification is part of the full test report<s> and should be read in conjunction with it <them>.

| | |
|--|---|
| Applicant Name & Address: | Yung Li Co.Ltd. Da Pu Industrial Zone,Gangzi Chang Ping Town,Dongguan City,Guangdong,China |
| Product Description: | Non-rewirable fused plug |
| Ratings & Principle Characteristics: | 250V ~ , Max 13A |
| Models/Type References: | YP-61A |
| Brand Name<s>: | YUNG-LI |
| Specification<s>/ Standard<s>: | SASO 2203:2018/ PLUGS AND SOCKET-OUTLETS FOR HOUSEHOLD AND SIMILAR PURPOSES SAFETY REQUIREMENTS AND TEST METHODS 250 V/13 A |
| Verification Issuing Office Name & Address: | Intertek Testing Services Shenzhen Ltd. Guangzhou Branch Block E, No.7-2 Guang Dong software Science Park, Caipin Road, Guangzhou Science City, GETDD, Guangzhou, China |
| Test Report Number<s>: | 180731117GZU-001: Sep. 07, 2018 |



Signature

Name: Hunter Chu
Position: Supervisor
Date: Sep. 12, 2018

This Verification is for the exclusive use of Intertek's client and is provided pursuant to the agreement between Intertek and its Client. Intertek's responsibility and liability are limited to the terms and conditions of the agreement. Intertek assumes no liability to any party, other than to the Client in accordance with the agreement, for any loss, expense or damage occasioned by the use of this Verification. Only the Client is authorized to permit copying or distribution of this Verification. Any use of the Intertek name or one of its marks for the sale or advertisement of the tested material, product or service must first be approved in writing by Intertek. The observations and test/inspection results referenced in this Verification are relevant only to the sample tested/inspected. This Verification by itself does not imply that the material, product, or service is or has ever been under an Intertek certification program.

CERTIFICATE OF CONFORMITY (COC)

To: GLA (RS code)
Global Approvals Pte Ltd
108 Bedok Reservoir Road
#02-320
Singapore 470108

Attn: Mr Andrew Lin

Date of certification : 15/08/2018
Date of expiry : 14/08/2021
Certificate number : 180890-12

Dear Sir/Madam,

We certify that the following controlled goods complied with the Mandatory requirements of the Singapore Consumer Protection (Safety Requirements) Registration Scheme:

Description of controlled goods: 13A non-rewireable fused plug with cable

Trade name: YUNG-LI

Model number: YP-61A

Country where the product is likely to be manufactured: China

Test report number: 180621127GZU-001

Testing laboratory: Intertek Testing Services Shenzhen Ltd. Guangzhou Branch

Tested according to: SS 145: Part 1: 2010



Ong Keng Chuan

Intertek Testing Services (Singapore) Pte Ltd

Important Note:

No controlled goods can be supplied in Singapore unless they are registered with the Safety Authority. Please access www.cpsa.enterprisesg.gov.sg/ for registration procedure.

Gulf Type Examination Certificate

Type Certificate Number: CN-GSOG-20180667R1

Certificate Expiry Date: 17 October 2021

See Certificate Revision / Renewal History in Annex 1

Notified Body 0012 certifies that this Electrical Equipment has been found to comply with the essential requirements of the safety objectives and the requirements of the electromagnetic compatibility of the Gulf Technical Regulation on Low Voltage Electrical Equipment and Appliances BD-142004-01 list (2) subjected to the Conformity Assessment Procedure set out in Annex (4).

| | |
|----------------------------------|--|
| Applicant: | YUNG LI CO., LTD. Da Pu Industrial Zone, Chang Ping Town, Dong Guan City, GuangDong, China |
| Manufacturer: | Same as applicant |
| Manufacturing Location: | Same as applicant |
| Country of Origin: | P.R. China |
| Product: | Non-rewirable fused plug |
| Brand: | YUNG-LI |
| Model / Type Ref: | YP-61A |
| Technical Data / Ratings: | Colour(s): all color; Solid brass L, N & E pins and alternatively ISOD; Solid moulded-on constructions; Crimped terminations; Product Dimensions: L W H: 5x4x7 cm Max.13A, 250V~ |
| Product Complies with Standards: | BS 1363-1:2016+A1:2018 SASO 2203:2018 |
| Evaluation or Test Report(s): | 180621129GZU-001: 21 August 2018 200615176GZU-001: 23 June. 2020 |
| National Deviations Checked: | Kingdom of Saudi Arabia, United Arab Emirates, Sultanate of Oman, Kingdom of Bahrain, State of Qatar, State of Kuwait, Republic of Yemen |
| Limitations: | None |
| Issuing Notified Body No: | 0012 |

Signature

Win Qiu

Certification Officer

Issue Date 06 August 2020



0012-3712



This certificate:

- applies only to the product(s) submitted and as detailed in the Technical Construction File (TCF).
- does not imply that the Notified Body has performed any surveillance or control of the manufacture(s).
- replaces certificate CN-GSOG-20180667 dated 17 October 2018. The new certificate has been issued due to standard update.
- see Certificate Revision / Renewal History in Annex 1.

This Certificate is for the exclusive use of Intertek's client and is provided pursuant to the agreement between Intertek and its Client. Intertek's responsibility and liability are limited to the terms and conditions of the agreement. Intertek assumes no liability to any party, other than to the Client in accordance with the agreement, for any loss, expense or damage occasioned by the use of this Certificate. Only the Client is authorized to permit copying or distribution of this Certificate. Any use of the Intertek name or one of its marks for the sale or advertisement of the tested material, product or service must first be approved in writing by Intertek. The observations and test/inspection results referenced in this Certificate are relevant only to the sample tested/inspected. This Certificate by itself does not imply that the material, product, or service is or has ever been under an Intertek certification program.

**Annex 1 to Gulf Type Examination Certificate: CN-GSOG-20180667R1
Notified Body: 0012**

The manufacturer(s):

- shall ensure the manufacturing process assures compliance of production of the examined products covered by this certificate.
- shall inform the Notified Body of any modifications made to the examined product; this may lead to additional approval work resulting in cancellation, amendment and/or reissuance of this Gulf Type Examination Certificate.

List of the Gulf Type Examination technical documentation prepared by the manufacturer which is retained by the Notified Body in the Technical Construction File (TCF):

- Trade mark, model or reference of the equipment
- General description and operation of the equipment
- Leaflet, use instructions, copy of warnings
- Detailed description with conceptual design and manufacturing drawings, including:
- List of components, materials, sub-assemblies and circuits
- Explanations necessary for the understanding of the above
- Address of place(s) of manufacturer & storage
- List of the Gulf standards, if any, applied in full or in part, and descriptions of the solutions adopted to meet the essential requirements of the regulation where the Gulf standards have not been fully applied (risk assessment, proposed solutions)
- Results of design calculations made, examinations carried out, etc.
- Test reports or test certificates from in-house laboratory belonging to the manufacturer, if any
- Documentation of the solutions adopted by the manufacturer to ensure conformity of the production with the product specified in this certificate
- Description of the conformity assessment procedure followed

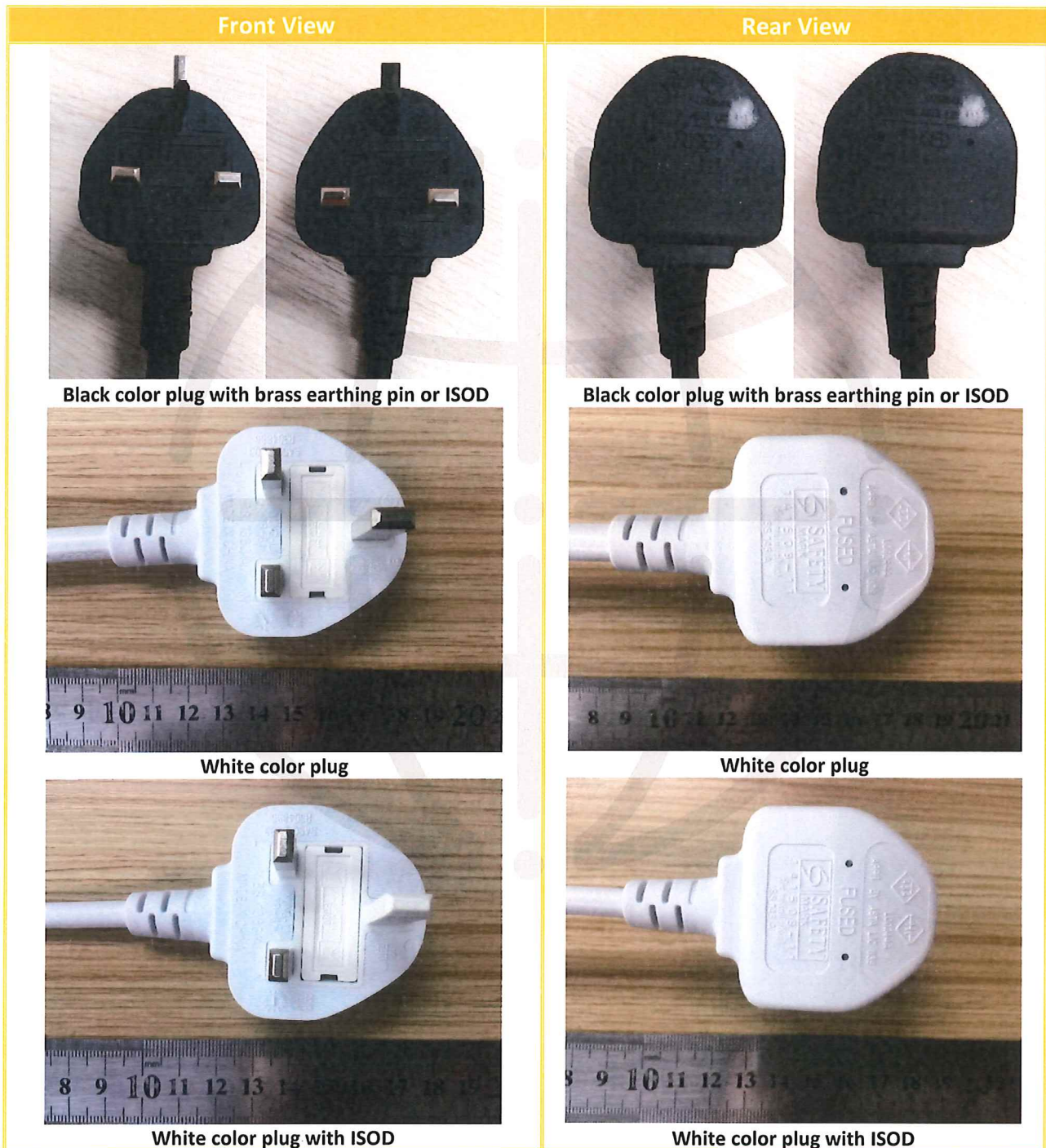
Certificate Revision History Table:

| Certificate No. | Certificate Revision History | Issue Date | Expiry Date |
|--------------------|---|-----------------|-----------------|
| CN-GSOG-20180667 | Certificate Initial Issue | 17 October 2018 | 17 October 2021 |
| CN-GSOG-20180667R1 | Certificate Revision Issue: standard update | 06 August 2020 | 17 October 2021 |

This Certificate is for the exclusive use of Intertek's client and is provided pursuant to the agreement between Intertek and its Client. Intertek's responsibility and liability are limited to the terms and conditions of the agreement. Intertek assumes no liability to any party, other than to the Client in accordance with the agreement, for any loss, expense or damage occasioned by the use of this Certificate. Only the Client is authorized to permit copying or distribution of this Certificate. Any use of the Intertek name or one of its marks for the sale or advertisement of the tested material, product or service must first be approved in writing by Intertek. The observations and test/inspection results referenced in this Certificate are relevant only to the sample tested/inspected. This Certificate by itself does not imply that the material, product, or service is or has ever been under an Intertek certification program.

Annex 2 to Gulf Type Examination Certificate: CN-GSOG-20180667R1
Notified Body: 0012

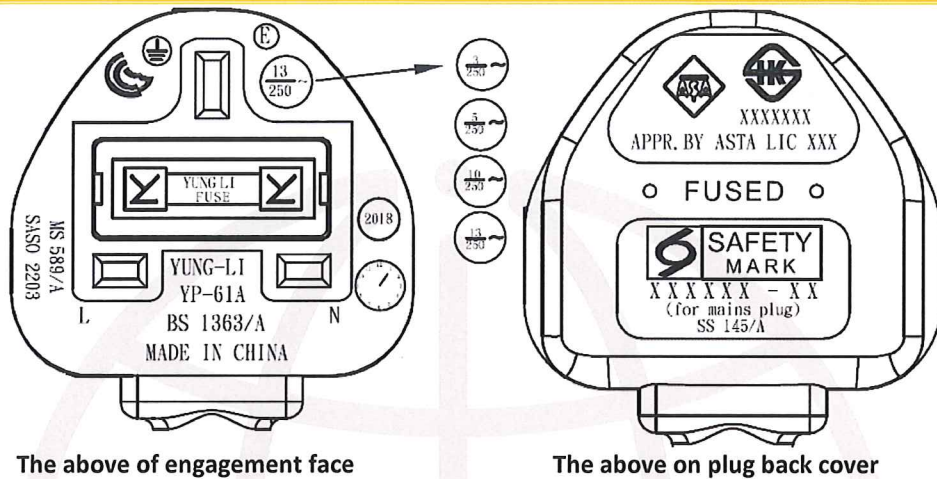
Product Photographs:



This Certificate is for the exclusive use of Intertek's client and is provided pursuant to the agreement between Intertek and its Client. Intertek's responsibility and liability are limited to the terms and conditions of the agreement. Intertek assumes no liability to any party, other than to the Client in accordance with the agreement, for any loss, expense or damage occasioned by the use of this Certificate. Only the Client is authorized to permit copying or distribution of this Certificate. Any use of the Intertek name or one of its marks for the sale or advertisement of the tested material, product or service must first be approved in writing by Intertek. The observations and test/inspection results referenced in this Certificate are relevant only to the sample tested/inspected. This Certificate by itself does not imply that the material, product, or service is or has ever been under an Intertek certification program.

Annex 2 to Gulf Type Examination Certificate: CN-GSOG-20180667R1
Notified Body: 0012

Product Rating Label (incl. GCTS Configuration and Trade Mark)



The above of engagement face

The above on plug back cover

Model: YP-61A
 Rating: 3A /6A/10A/13A 250V~
 Yung Li Co.Ltd.
 Da Pu Industrial Zone,Gangzi Chang Ping Town,Dongguan
 City,Guangdong,China



The above on the product outer packaging

This Certificate is for the exclusive use of Intertek's client and is provided pursuant to the agreement between Intertek and its Client. Intertek's responsibility and liability are limited to the terms and conditions of the agreement. Intertek assumes no liability to any party, other than to the Client in accordance with the agreement, for any loss, expense or damage occasioned by the use of this Certificate. Only the Client is authorized to permit copying or distribution of this Certificate. Any use of the Intertek name or one of its marks for the sale or advertisement of the tested material, product or service must first be approved in writing by Intertek. The observations and test/inspection results referenced in this Certificate are relevant only to the sample tested/inspected. This Certificate by itself does not imply that the material, product, or service is or has ever been under an Intertek certification program.



No. Resit : 200624IKE05132
Tkh Resit : 24-Jun-2020

Borang V
(Peraturan 97)

App Id : SJT1612020010297
Ruj Kami : 6018899/KI6633/20

SURUHANJAYA TENAGA
AKTA BEKALAN ELEKTRIK 1990

PERAKUAN KELULUSAN

Mengikut peraturan 97 Peraturan-peraturan Elektrik 1994, Perakuan ini dikeluarkan kepada

ZUFENG MARKETING
(nama pengimport)

yang beralamat di

32 LORONG BATU NILAM 14C
BANDAR BUKIT TINGGI
41200 KLANG, SELANGOR
(alamat)

dan kelulusan diberikan untuk

| | | | |
|-------------------|------------------------------|----------------|--------------------|
| MENGIMPORT | MEMPAMER ¹ | MENJUAL | MENGIKLAN * |
|-------------------|------------------------------|----------------|--------------------|

kelengkapan yang perihalnya dinyatakan di bawah ini, terus daripada,
CN - CHINA
(nama dan negara pengilang)

dan kelengkapan itu mematuhi:

- (a) Standard : **Safety BS 1363-1: 2016+A1:2018**
(b) Laporan Ujian Jenis No : **Safety Intertek Testing Services Shenzhen Ltd. Guangzhou Branch 180118093GZU-001**
(c) Tarikh Ujian : **Safety 21-Jun-2018**

bagi tempoh **satu** tahun dari tarikh dikeluarkan/ diperbaharui* seperti yang ditunjukkan di bawah
tertakluk kepada syarat-syarat berikut:

- SEPERTI LAMPIRAN A -

Tarikh dikeluarkan/ diperbaharui* : 24-Jun-2020
Kelulusan No : 8326/20

Tarikh Habis Tempoh : 23-Jun-2021
Fee RM : 220.00

Perihalan Kelengkapan

Kelengkapan : Fused Plug
Nama Dagangan : YUNG-LI
Jenis / Model : YP-61A

Spesifikasi Kelengkapan

Voltan : 250 Volt.
Frekuensi : - Hz.
Nilai KT :

Kuasa : - Watt.
Arus : 13 Amp.

Ir. FAIRUS BINTI ABD. MANAF
Ketua Unit Kelengkapan
Jabatan Keselamatan Elektrik
Suruhanjaya Tenaga

No. Perakuan : SJT161106079312020

App ID : SJT1612020010297

Syarat-Syarat:

- i) Kelengkapan ini hendaklah melalui ujian konsaimen yang dilakukan oleh SIRIM;
- ii) Kelengkapan yang lulus ujian konsaimen hendaklah dilekatkan dengan label yang dikeluarkan oleh SIRIM;
- iii) Pengimport dikehendaki mengemukakan nombor siri setiap kelengkapan bagi setiap konsaimen yang dibawa masuk kepada pihak SIRIM;
- iv) Kelengkapan yang gagal ujian konsaimen hendaklah dipulangkan kepada negara asal ataupun dimusnahkan;
- v) Kelengkapan hendaklah dibina secara sesuai dan sepadan dengan kord bekalan palam utama yang diluluskan oleh ST.

Kord bekalan hendaklah diperakui mengikut standard MS 140 atau MS 2112-5 atau BS 6500 atau IEC 60227-1 & IEC 60227-5 (tertebat PVC - kabel/kord boleh lentur) atau MS 140 atau IEC 60245-4 atau BS 6500 atau IEC 60245-1 & IEC 60245-4 (tertebat getah - kabel/kord boleh lentur).

Palam utama yang digunakan hendaklah seperti berikut:-

- a) Palam fuis 13A, mematuhi standard MS 589: Part 1 atau BS 1363: Part 1;
 - b) Palam 15A, mematuhi standard MS 1577;
 - c) Palam dua kutub bulat tidak boleh didawai semula 2.5A, 250V, dengan kord untuk sambungan ke kelengkapan kelas II, mematuhi standard MS 1578 atau BS EN 50075.
- vi) Permohonan pembaharuan Perakuan Kelulusan beserta dengan bayaran hendaklah dibuat tidak kurang dari empat belas (14) hari dari tarikh habis tempoh Perakuan (Peraturan 106, Peraturan-Peraturan Elektrik(Pindaan) 2003)



Ir. FAIRUS BINTI ABD. MANAF
Ketua Unit Kelengkapan
Jabatan Keselamatan Elektrik
Suruhanjaya Tenaga



香港認證中心

The Hong Kong Certification Centre Ltd

HONG KONG SAFETY MARK LICENSE

License Number : L00244A

Date of Issue : 2020-07-01

Issued To: Yung Li Co. Ltd
Da Pu Industrial Zone
Gangzi Chang Ping Town
Dongguan City Guangdong
China

Manufacturer: Yung Li Co. Ltd
Da Pu Industrial Zone
Gangzi Chang Ping Town
Dongguan City Guangdong
China

This is to certify that the products listed below are eligible to bear the Hong Kong Safety Mark subject to compliance of annual surveillance of factory inspection.

Issued By : Richard Fung
Managing Director

For and on behalf of
The Hong Kong Certification Centre Limited

Product Category

Wiring Accessories

Product Description

Non-rewirable fused plug molded on power cord

Type/Models

[Brand Name : Yung Li]

YP-61A

Applicable Standard(s) / Requirements

BS1363-1:2016 - 13A Plugs, socket-outlets, adaptors and connection units – Part 1:

+A1:2018

Specification for rewirable and non-rewirable 13A fused plugs

Certification report: L00244-3

*Product certification system is Type 5 as defined in ISO/IEC 17067:2013.
The use of this License is governed by the Hong Kong Safety Mark Regulations and any other requirement and Regulations accompanying this License when issued, as amended from time to time.*

This License is the property of The Hong Kong Certification Centre Limited and must be returned upon request.

Original Certification: 2005-04-29

Expiry: 2023-06-30

HKSM Certification Scheme: CC/SCH/008 Rev 1

Unit B, 10/F., Block 1, Tai Ping Industrial Centre, No. 57 Ting Kok Road, Tai Po, N.T., Hong Kong

香港新界大埔汀角路57號太平工業中心第一座10樓B室

Tel / 電話: (852) 2661 2083

Fax / 傳真: (852) 2661 3181

Email / 電郵: hkcc@hk-cc.hk

Homepage / 網址: www.hk-cc.hk

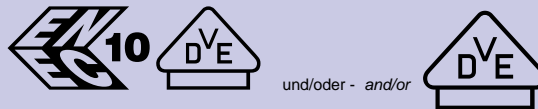
ZEICHENGENEHMIGUNG MARKS APPROVAL

Yung-Li Co. Ltd.
Da Pu Industrial Zone, Cang Zi
Chang Ping Town
523571 DONG GUAN CITY
Guangdong
CHINA

ist berechtigt, für ihr Produkt /
is authorized to use for their product

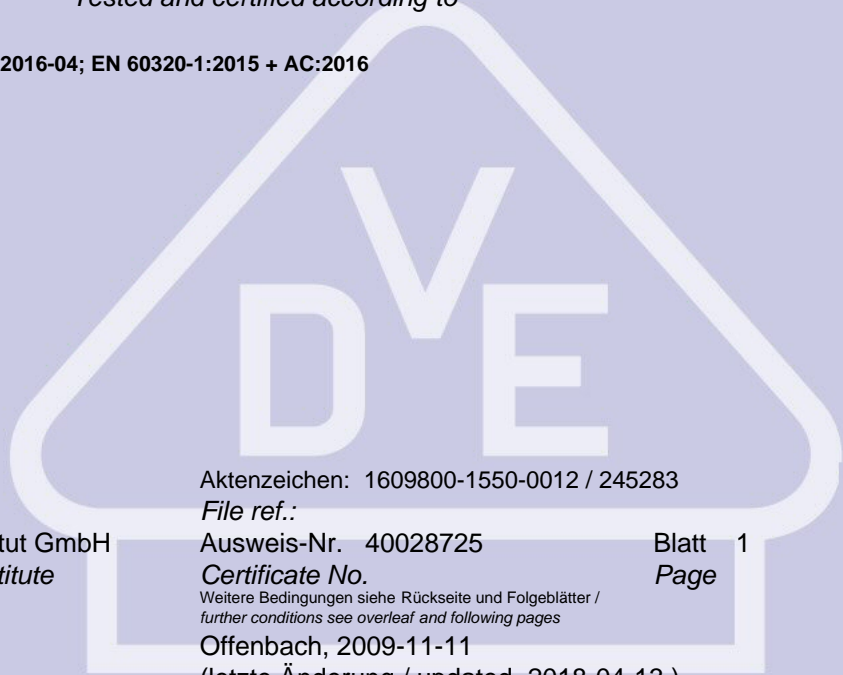
Gerätesteckdose, nicht-wiederanschließbar
Connector, non-rewirable

die hier abgebildeten markenrechtlich geschützten Zeichen
für die ab Blatt 2 aufgeführten Typen zu benutzen /
the legally protected Marks as shown below for the types referred to on page 2 ff.



Geprüft und zertifiziert nach /
Tested and certified according to

DIN EN 60320-1 (VDE 0625-1):2016-04; EN 60320-1:2015 + AC:2016
IEC 60320-1:2015



Aktenzeichen: 1609800-1550-0012 / 245283

File ref.:

Ausweis-Nr. 40028725

Blatt 1

Certificate No.

Page

Weitere Bedingungen siehe Rückseite und Folgeblätter /
further conditions see overleaf and following pages

Offenbach, 2009-11-11

(letzte Änderung / updated 2018-04-13)

VDE Prüf- und Zertifizierungsinstitut GmbH
VDE Testing and Certification Institute
Zertifizierungsstelle / Certification

R. Nickel

VDE Zertifikate sind nur gültig bei Veröffentlichung unter:
VDE certificates are valid only when published on:

<http://www.vde.com/zertifikat>
<http://www.vde.com/certificate>

Name und Sitz des Genehmigungs-Inhabers / *Name and registered seat of the Certificate holder*

Yung-Li Co. Ltd., Da Pu Industrial Zone, Cang Zi, Chang Ping Town, 523571 DONG GUAN CITY, Guangdong, CHINA

Aktenzeichen / *File ref.*

1609800-1550-0012 / 245283 / TL3 / E

letzte Änderung / *updated*

2018-04-13

Datum / *Date*

2009-11-11

Dieses Blatt gilt nur in Verbindung mit Blatt 1 des Zeichengenehmigungsausweises Nr. 40028725.

This supplement is only valid in conjunction with page 1 of the Certificate No. 40028725.

Gerätesteckdose, nicht-wiederanschließbar *Connector, non-rewirable*

Typ(en) / *Type(s)*

- 1) **YC-18**
- 2) **YC-18L**

Bemessungsspannung
Rated voltage

AC 250 V

Bemessungsstrom
Rated current

16 A

Polzahl
Number of poles

2-polig mit Schutzkontakt
2-pole with earthing contact

Bauart
Kind of construction

Normblatt C19
standard sheet C19

Ausführung(en)
Construction(s)

zentrale Leitungseinführung
straight cable entry
Für / *for* 1)

abgewinkelte Leitungseinführung
angled cable entry
Für / *for* 2)

Warenzeicheninhaber
Trademark holder

Yung-Li Co. Ltd.

Fortsetzung siehe Blatt 3 /
continued on page 3

Name und Sitz des Genehmigungs-Inhabers / *Name and registered seat of the Certificate holder*

Yung-Li Co. Ltd., Da Pu Industrial Zone, Cang Zi, Chang Ping Town, 523571 DONG GUAN CITY, Guangdong, CHINA

Aktenzeichen / *File ref.*

1609800-1550-0012 / 245283 / TL3 / E

letzte Änderung / *updated*

2018-04-13

Datum / *Date*

2009-11-11

Dieses Blatt gilt nur in Verbindung mit Blatt 1 des Zeichengenehmigungsausweises Nr. 40028725.

This supplement is only valid in conjunction with page 1 of the Certificate No. 40028725.

Produktinformation
Product information

siehe Anlage Nr. 300 + 301 + 700 + 900 vom 2018-04-13
see Appendix No. 300 + 301 + 700 + 900 dated 2018-04-13

Dieser Zeichengenehmigungs-Ausweis bildet eine Grundlage für die EG-Konformitätserklärung und CE-Kennzeichnung durch den Hersteller oder dessen Bevollmächtigten und bescheinigt die Konformität mit den grundlegenden Schutzanforderungen der **EG-Niederspannungsrichtlinie 2014/35/EU**.

*This Marks Approval is a basis for the EC Declaration of Conformity and the CE Marking by the manufacturer or his agent and proves the conformity with the essential safety requirements of the **EC Low-Voltage Directive 2014/35/EU**.*

VDE Prüf- und Zertifizierungsinstitut GmbH
VDE Testing and Certification Institute
Fachgebiet TL3
Section TL3

VDE Prüf- und Zertifizierungsinstitut Zeichengenehmigung

Ausweis-Nr. / Beiblatt /
Certificate No. Supplement
40028725

Name und Sitz des Genehmigungs-Inhabers / *Name and registered seat of the Certificate holder*

Yung-Li Co. Ltd., Da Pu Industrial Zone, Cang Zi, Chang Ping Town, 523571 DONG GUAN CITY, Guangdong, CHINA

Aktenzeichen / *File ref.*

1609800-1550-0012 / 245283 / TL3 / E

letzte Änderung / *updated*

2018-04-13

Datum / *Date*

2009-11-11

Dieses Beiblatt ist Bestandteil des Zeichengenehmigungsausweises Nr. 40028725.

This supplement is part of the Certificate No. 40028725.

Gerätesteckdose, nicht-wiederanschließbar *Connector, non-rewirable*

Fertigungsstätte(n)

Place(s) of manufacture

Referenz/*Reference*
30008928

Yung-Li Co. Ltd.
Da Pu Industrial Zone, Cang Zi
Chang Ping Town
523571 DONG GUAN CITY
Guangdong
CHINA

VDE Prüf- und Zertifizierungsinstitut GmbH
VDE Testing and Certification Institute
Fachgebiet TL3
Section TL3



Name und Sitz des Genehmigungs-Inhabers / *Name and registered seat of the Certificate holder*

Yung-Li Co. Ltd., Da Pu Industrial Zone, Cang Zi, Chang Ping Town, 523571 DONG GUAN CITY, Guangdong, CHINA

Aktenzeichen / *File ref.*

1609800-1550-0012 / 245283 / TL3 / E

letzte Änderung / *updated*

2018-04-13

Datum / *Date*

2009-11-11

Dieses Blatt gilt nur in Verbindung mit Blatt 1 des Zeichengenehmigungsausweises Nr. 40028725.

This supplement is only valid in conjunction with page 1 of the Certificate No. 40028725.

Genehmigung zum Benutzen des auf Seite 1 abgebildeten markenrechtlich geschützten Zeichens des VDE:

Grundlage für die Benutzung sind die Allgemeinen Geschäftsbedingungen (AGB) der VDE Prüf- und Zertifizierungsinstitut GmbH (www.vde.com\AGB-Institut). Das Recht zur Benutzung erstreckt sich nur auf die bezeichnete Firma mit den genannten Fertigungsstätten und die oben aufgeführten Produkte mit den zugeordneten Bezeichnungen. Die Fertigungsstätte muss so eingerichtet sein, dass eine gleichmäßige Herstellung der geprüften und zertifizierten Ausführung gewährleistet ist.

Die Genehmigung ist so lange gültig wie die VDE-Bestimmungen gelten, die der Zertifizierung zugrunde gelegen haben, sofern sie nicht auf Grund anderer Bedingungen aus der VDE Prüf- und Zertifizierungsordnung (PM102) zurückgezogen werden muss.

Der Gültigkeitszeitraum einer VDE-GS-Zeichengenehmigung kann auf Antrag verlängert werden. Bei gesetzlichen und / oder normativen Änderungen kann die VDE-GS-Zeichengenehmigung ihre Gültigkeit zu einem früheren als dem angegebenen Datum verlieren.

Produkte, die das Biozid Dimethylfumarat (DMF) enthalten, dürfen gemäß der Kommissionsentscheidung 2009/251/EG nicht mehr in den Verkehr gebracht oder auf dem Markt bereitgestellt werden.

Der VDE-Zeichengenehmigungsausweis wird ausschließlich auf der ersten Seite unterzeichnet.

Approval to use the legally protected Mark of the VDE as shown on the first page:

Basis for the use are the general terms and conditions of the VDE Testing and Certification Institute (www.vde.com\terms-institute). The right to use the mark is granted only to the mentioned company with the named places of manufacture and the listed products with the related type references. The place of manufacture shall be equipped in a way that a constant manufacturing of the certified construction is assured.

The approval is valid as long as the VDE specifications are in force, on which the certification is based on, unless it is withdrawn according to the VDE Testing and Certification Procedure (PM102E).

The validity period of a VDE-GS-Mark Approval may be prolonged on request. In case of changes in legal and / or normative requirements, the validity period of a VDE-GS-Mark Approval may be shortened.

Products containing the biocide dimethylfumarate (DMF) may not be marketed or made available on the EC market according to the Commission Decision 2009/251/EC.

The approval is solely signed on the first page.

ZEICHENGENEHMIGUNG MARKS APPROVAL

Yung-Li Co. Ltd.
Da Pu Industrial Zone, Cang Zi
Chang Ping Town
523571 DONG GUAN CITY
Guangdong
CHINA

ist berechtigt, für ihr Produkt /
is authorized to use for their product

Starkstromleitungen für allgemeine Anwendungen
- Flexible Leitungen
mit thermoplastischer PVC-Isolierung
Cables for general applications
- Flexible cables with
thermoplastic PVC insulation

die hier abgebildeten markenrechtlich geschützten Zeichen
für die ab Blatt 2 aufgeführten Typen zu benutzen /
the legally protected Marks as shown below for the types referred to on page 2 ff.

◁VDE▷ oder/or ◁▷⊠▷ oder/or  schwarz
black rot
red

Geprüft und zertifiziert nach /
Tested and certified according to

DIN EN 50525-2-11 (VDE 0285-525-2-11):2012-01; EN 50525-2-11:2011



Aktenzeichen: 1609800-5140-0005 / 211124

File ref.:

Ausweis-Nr. 40010145

Blatt 1

Certificate No.

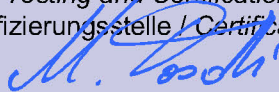
Page

Weitere Bedingungen siehe Rückseite und Folgeblätter /
further conditions see overleaf and following pages

Offenbach, 2004-04-27

(letzte Änderung / updated 2015-05-26)

VDE Prüf- und Zertifizierungsinstitut GmbH
VDE Testing and Certification Institute
Zertifizierungsstelle / Certification



M. Tasotti

VDE Zertifikate sind nur gültig bei Veröffentlichung unter:
VDE certificates are valid only when published on:

<http://www.vde.com/zertifikat>
<http://www.vde.com/certificate>

Name und Sitz des Genehmigungs-Inhabers / *Name and registered seat of the Certificate holder*

Yung-Li Co. Ltd., Da Pu Industrial Zone, Cang Zi, Chang Ping Town, 523571 DONG GUAN CITY, Guangdong, CHINA

Aktenzeichen / *File ref.*

1609800-5140-0005 / 211124 / CC5 / HEG

letzte Änderung / *updated*

2015-05-26

Datum / *Date*

2004-04-27

Dieses Blatt gilt nur in Verbindung mit Blatt 1 des Zeichengenehmigungsausweises Nr. 40010145.

This supplement is only valid in conjunction with page 1 of the Certificate No. 40010145.

Starkstromleitungen für allgemeine Anwendungen - Flexible Leitungen mit thermoplastischer PVC-Isolierung *Cables for general applications - Flexible cables with thermoplastic PVC insulation*

Typ(en) / *Type(s)*

| | |
|--|---|
| H03VV-F 2...4 x 0,5...0,75 mm ² | + |
| H03VVH2-F 2 x 0,5...0,75 mm ² | + |
| H05VV-F 2...5 x 0,75...4 mm ² | + |
| H05VVH2-F 2 x 0,75...1,0 mm ² | + |

Leitungsbauart
Type of cable

Standardleitungen
General purpose cables

Firmenzeichen
Trademark

Yung Li Co., Ltd.

Dieser Zeichengenehmigungs-Ausweis bildet eine Grundlage für die EG-Konformitätserklärung und CE-Kennzeichnung durch den Hersteller oder dessen Bevollmächtigten und bescheinigt die Konformität mit den grundlegenden Schutzanforderungen der **EG-Niederspannungsrichtlinie 2006/95/EG** mit ihren Änderungen.
*This Marks Approval is a basis for the EC Declaration of Conformity and the CE Marking by the manufacturer or his agent and proves the conformity with the essential safety requirements of the **EC Low-Voltage Directive 2006/95/EC** including amendments.*

VDE Prüf- und Zertifizierungsinstitut GmbH
VDE Testing and Certification Institute
Fachgebiet CC5
Section CC5

VDE Prüf- und Zertifizierungsinstitut Zeichengenehmigung

Ausweis-Nr. / Beiblatt /
Certificate No. Supplement
40010145

Name und Sitz des Genehmigungs-Inhabers / *Name and registered seat of the Certificate holder*

Yung-Li Co. Ltd., Da Pu Industrial Zone, Cang Zi, Chang Ping Town, 523571 DONG GUAN CITY, Guangdong, CHINA

Aktenzeichen / *File ref.*

1609800-5140-0005 / 211124 / CC5 / HEG

letzte Änderung / *updated*

2015-05-26

Datum / *Date*

2004-04-27

Dieses Beiblatt ist Bestandteil des Zeichengenehmigungsausweises Nr. 40010145.

This supplement is part of the Certificate No. 40010145.

Starkstromleitungen für allgemeine Anwendungen - Flexible Leitungen mit thermoplastischer PVC-Isolierung *Cables for general applications - Flexible cables with thermoplastic PVC insulation*

Fertigungsstätte(n)

Place(s) of manufacture

Referenz/*Reference*

30008928

Yung-Li Co. Ltd.

Da Pu Industrial Zone, Cang Zi

Chang Ping Town

523571 DONG GUAN CITY

Guangdong

CHINA

VDE Prüf- und Zertifizierungsinstitut GmbH

VDE Testing and Certification Institute

Fachgebiet CC5

Section CC5

Name und Sitz des Genehmigungs-Inhabers / *Name and registered seat of the Certificate holder*

Yung-Li Co. Ltd., Da Pu Industrial Zone, Cang Zi, Chang Ping Town, 523571 DONG GUAN CITY, Guangdong, CHINA

Aktenzeichen / *File ref.*

1609800-5140-0005 / 211124 / CC5 / HEG

letzte Änderung / *updated*

2015-05-26

Datum / *Date*

2004-04-27

Dieses Blatt gilt nur in Verbindung mit Blatt 1 des Zeichengenehmigungsausweises Nr. 40010145.

This supplement is only valid in conjunction with page 1 of the Certificate No. 40010145.

Genehmigung zum Benutzen des auf Seite 1 abgebildeten markenrechtlich geschützten Zeichens des VDE:

Grundlage für die Benutzung sind die Allgemeinen Geschäftsbedingungen (AGB) der VDE Prüf- und Zertifizierungsinstitut GmbH (www.vde.com\AGB-Institut). Das Recht zur Benutzung erstreckt sich nur auf die bezeichnete Firma mit den genannten Fertigungsstätten und die oben aufgeführten Produkte mit den zugeordneten Bezeichnungen. Die Fertigungsstätte muss so eingerichtet sein, dass eine gleichmäßige Herstellung der geprüften und zertifizierten Ausführung gewährleistet ist.

Die Genehmigung ist so lange gültig wie die VDE-Bestimmungen gelten, die der Zertifizierung zugrunde gelegen haben, sofern sie nicht auf Grund anderer Bedingungen aus der VDE Prüf- und Zertifizierungsordnung (PM102) zurückgezogen werden muss.

Der Gültigkeitszeitraum einer VDE-GS-Zeichengenehmigung kann auf Antrag verlängert werden. Bei gesetzlichen und / oder normativen Änderungen kann die VDE-GS-Zeichengenehmigung ihre Gültigkeit zu einem früheren als dem angegebenen Datum verlieren.

Produkte, die das Biozid Dimethylfumarat (DMF) enthalten, dürfen gemäß der Kommissionsentscheidung 2009/251/EG nicht mehr in den Verkehr gebracht oder auf dem Markt bereitgestellt werden.

Der VDE-Zeichengenehmigungsausweis wird ausschließlich auf der ersten Seite unterzeichnet.

Approval to use the legally protected Mark of the VDE as shown on the first page:

Basis for the use are the general terms and conditions of the VDE Testing and Certification Institute (www.vde.com\terms-institute). The right to use the mark is granted only to the mentioned company with the named places of manufacture and the listed products with the related type references. The place of manufacture shall be equipped in a way that a constant manufacturing of the certified construction is assured.

The approval is valid as long as the VDE specifications are in force, on which the certification is based on, unless it is withdrawn according to the VDE Testing and Certification Procedure (PM102E).

The validity period of a VDE-GS-Mark Approval may be prolonged on request. In case of changes in legal and / or normative requirements, the validity period of a VDE-GS-Mark Approval may be shortened.

Products containing the biocide dimethylfumarate (DMF) may not be marketed or made available on the EC market according to the Commission Decision 2009/251/EC.

The approval is solely signed on the first page.