

SAN3 - Euro to Australian Converter Plug Technical Data & Fitting Instructions

Description

The 3 Pin Euro to Australian Converter Plug (SAN3) is an adapter that converts the European IEC 83:1975 Standard C 2b, C4, C5, and C6 plug (fitted only to Australian approved or HAR certified supply cords) to the AS/NZS 3112 system format. The plug is designed and manufactured to meet the requirements of AS/NZ 3112). It complies fully with the LDV and Plug and Socket safety regulations. The design of the clamping method ensures the body of the European IEC 83:1975 Standard C 2b, C4, C5, and C6 plug is enclosed.

Classification

- Adapter, Single portable,
- Non Re-Usable plug,
- Un-Fused,
- Normal use,
- Suitable for Class 1 and 2 devices (earthed and unearthed).
- Not Suitable for any other plug system.

Certification

- ASA approval number ASA-154010-EA (Compliance valid only when fitted to appropriate plug and cord types)

Relevant Standards:

- AS/NZS 3112:2011+A1+A2: Approval and test specification—Plugs and socket-outlets
- AS/NZS 3100:2009 +A1+A2+A3: Approval and test specification – General requirements for electrical equipment.

Rating

- Voltage	250V ac
- Current	10 amps max,
- Load	2400 watts max.
- Frequency	50 Hz
- Environmental Protection	IP 3X
- Flammability	V2 (external Casing)
- Mechanical Strength	1000 grams @ 500mm
- Colour	Black or White
- Weight	50 grams typical
- Finish	Plain and fine sparkle
- Retaining Screw	Tamperproof

Note: - Tolerance as per relevant British Standard

Safety Design Features

- Double mechanical interlocks to prevent the SAN3 from being inserted into the socket outlet without the cover and retaining screws being properly secured.
- Hinged cover
- No loose parts
- Plug features designed to meet the requirements of AS/NZS 3112

Installation System

The Euro to Australian Converter Plug (SAN3) is designed for use within the AS NZS 3112 Plug and Socket system only.

Fitting

1. The Euro to Australian Converter Plug (SAN3) should be fitted as follows (see full details below):
 2. Open SAN3
 3. Insert the Schuko Plug into the SAN3. (Shuko plug must be fitted only to Australian approved or HAR certified supply cords), placing close attention to the correct alignment of the protective earth contacts.
 4. Close lid¹
 5. Tighten retaining screws² to 0.4N.m (4.08Kgf.cm)
 6. Assembly complete
- *Note 1:- If the cover does close fully, this may mean that the Schuko Plug has not been correctly fitted, check and rectify before use.*
 - *NOTE 2:- This torque setting is for hand screwdrivers, if required, please contact us for guidance regarding power screwdriver settings*

Testing

1. Test Continuity between the SAN3 earth pin and the exposed metal of the product and in accordance with AS/NZS 3760 and verify that the resistance is less than 1 Ohm
2. Test the Insulation resistance in accordance with AS/NZS 3760 appendix B and verify that it is no worse than before the SAN3 was fitted, with leakage current less than 5mA.

Service Conditions

- Temperature Range
 - Storage -40 °C to +80 °C Ambient
 - Working -05 °C to +35 °C 95% RH Ambient
- Altitude 2000m above sea level max.
- Not subject to exposure to direct radiation from the sun
- Abnormal Condition - Avoid pollution by smoke, chemical and flammable fumes salt laden spray, periods of high humidity > 95% relative humidity (RH)

SAN3 FITTING INSTRUCTIONS Straight Schuko

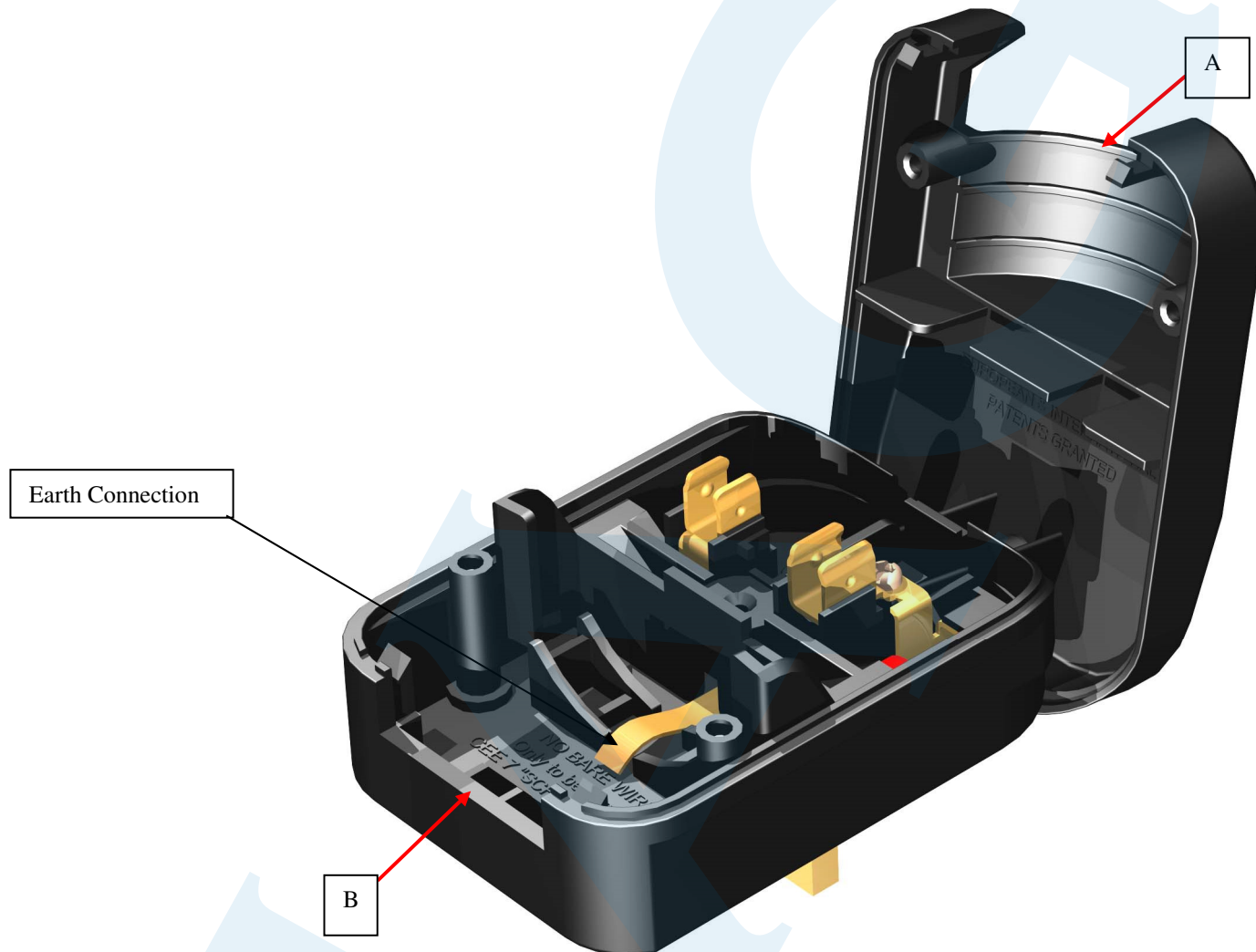


Diagram 1

Product received closed

Insert thumbs at "A" and "B" and pull open lid.

Product now ready to use, see diagram 2

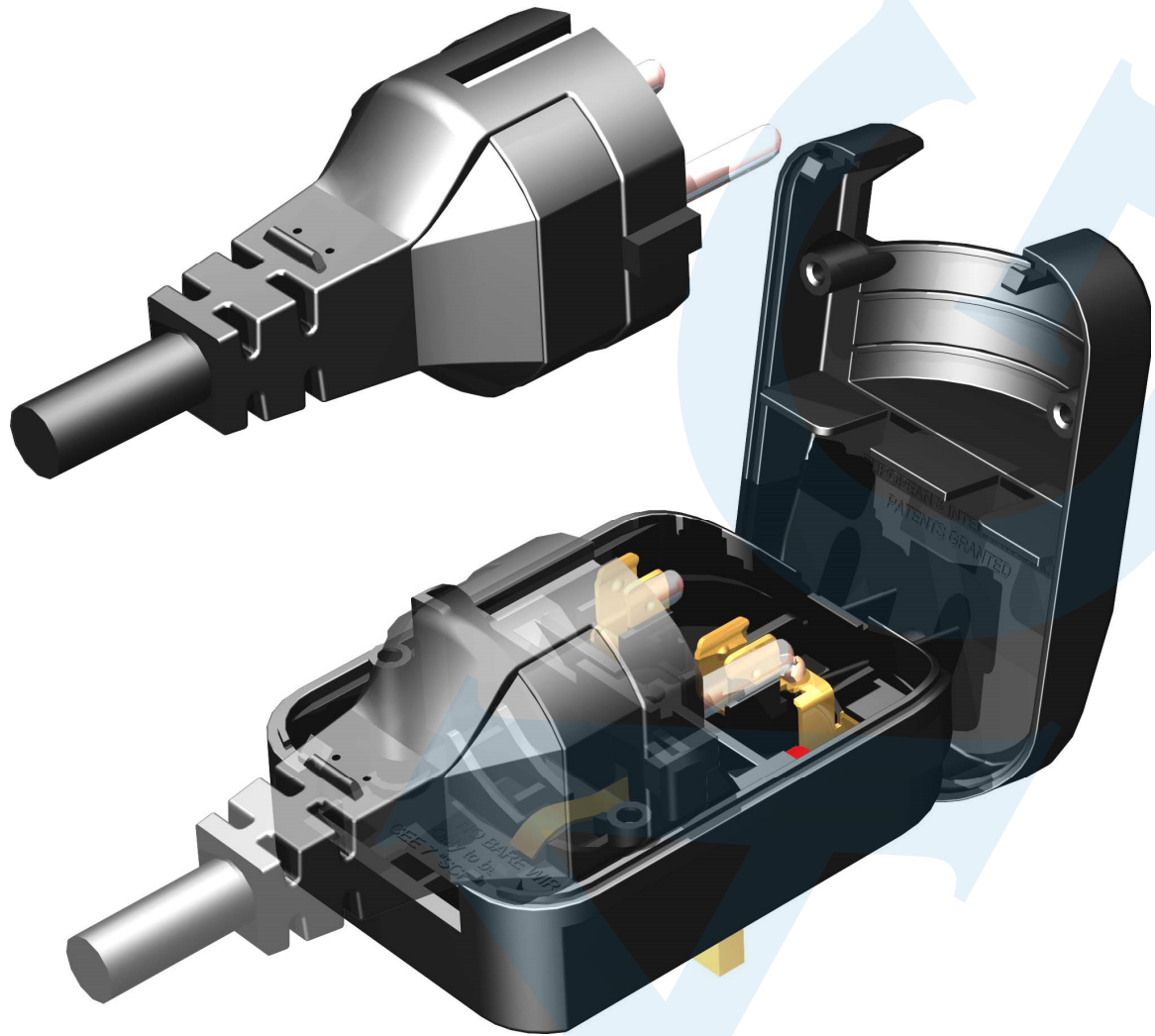


Diagram 2

Get plug and install in to clips, and close lid aligning clips, see diagram 3.

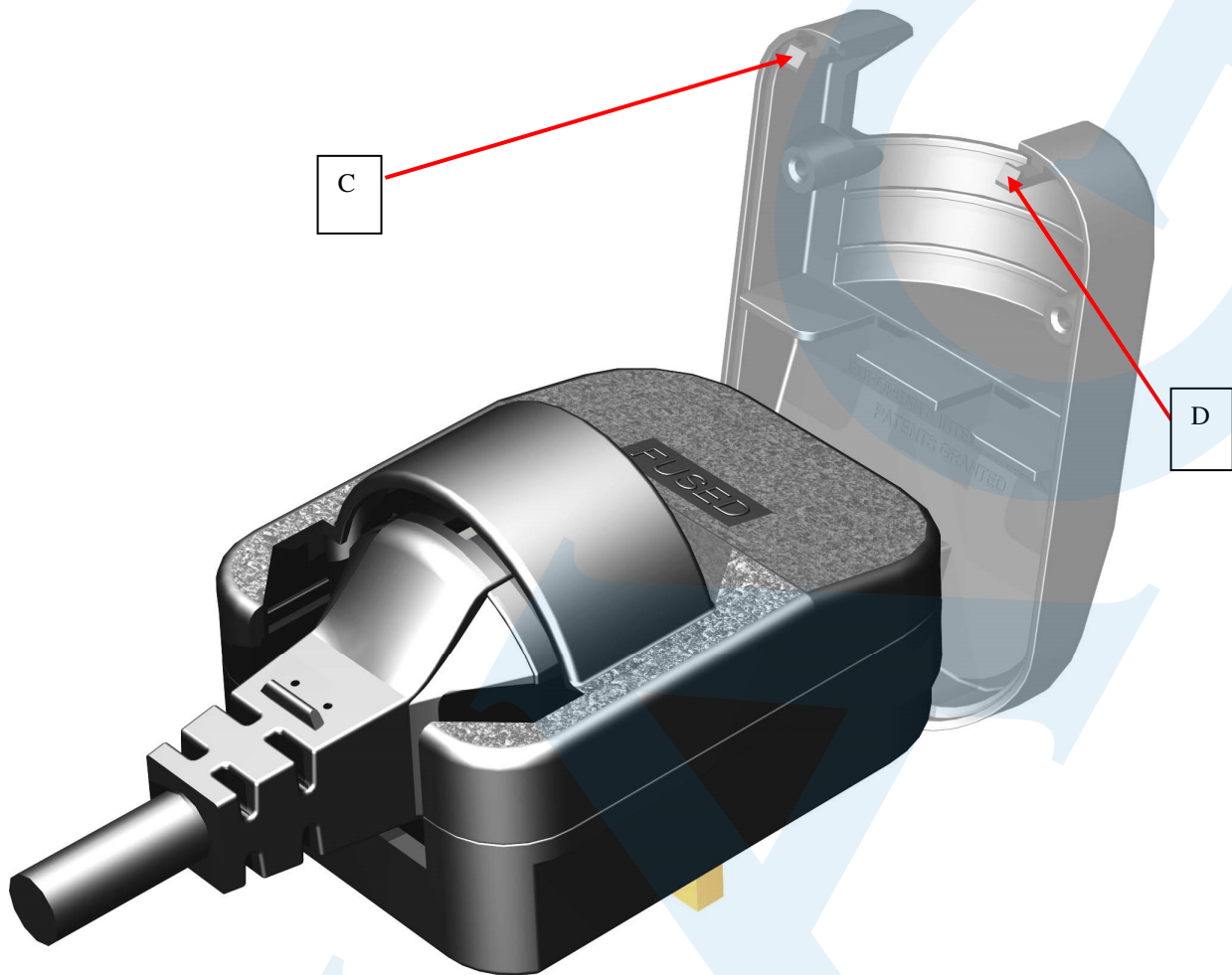


Diagram 3

Close lid

Ensure clips "C" and "D" align and click home

Lid now secured by clips, and ready to be screwed up by the 2 screws in the base, tighten screws to a torque of 0.4 Nm

Fitting complete

SAN3 FITTING INSTRUCTIONS

Right Angle Schuko

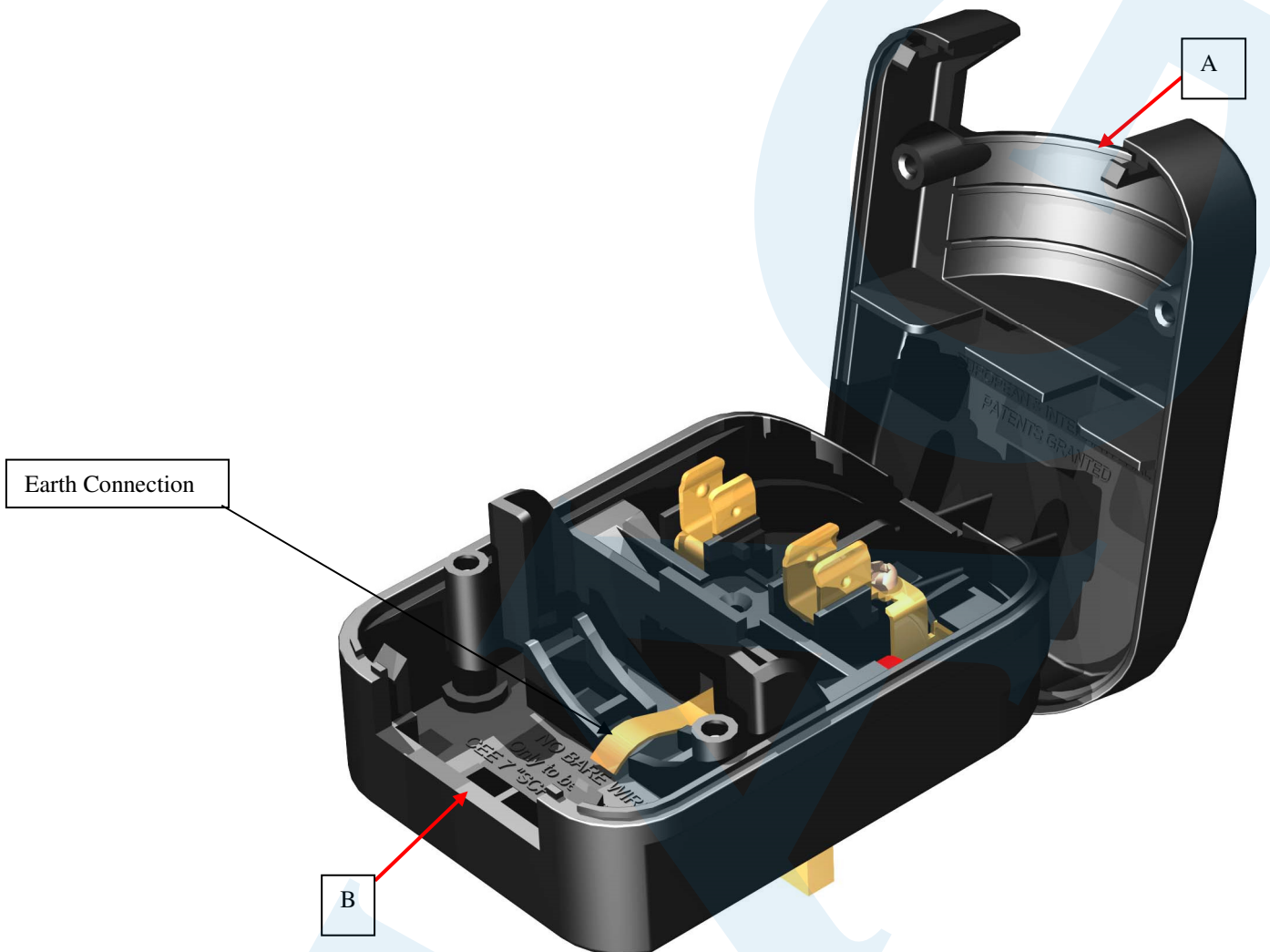


Diagram 1

Product received closed

Insert thumbs at “A” and “B” and pull open lid.

Product now ready to use, see diagram 2

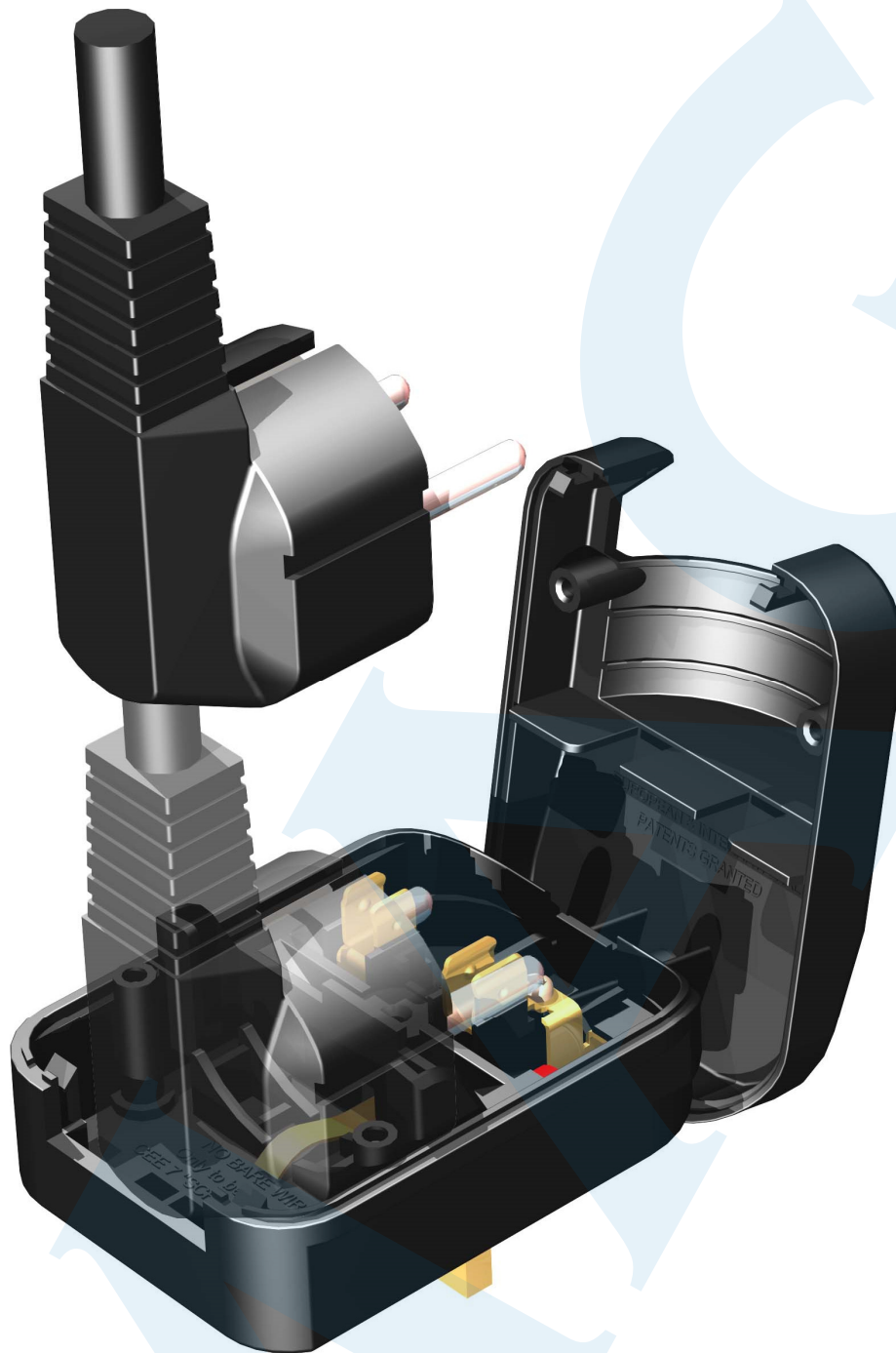


Diagram 2

Get plug and install in to clips, and close lid aligning clips, see diagram 3.

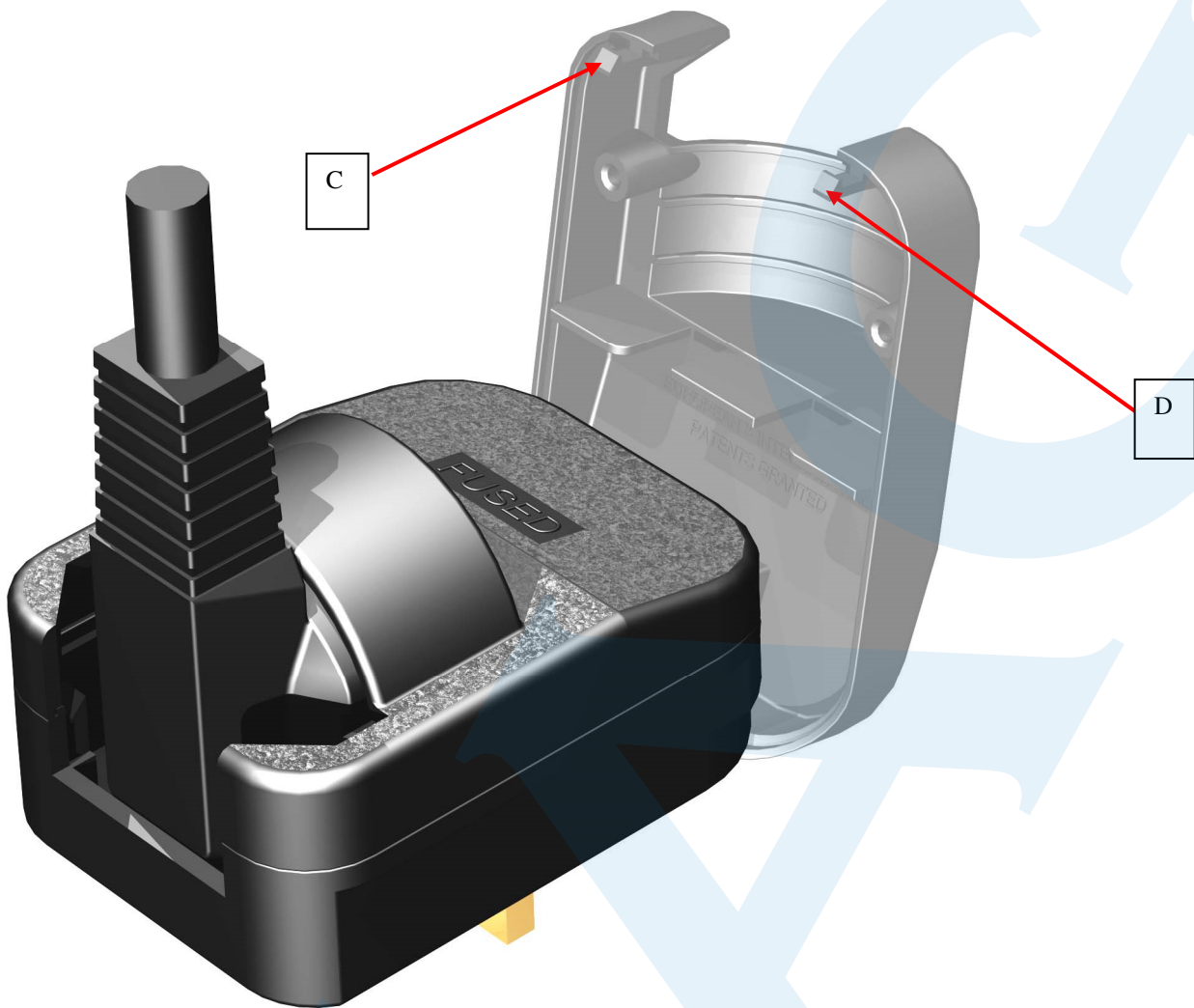


Diagram 3

Close lid

Ensure clips “C” and “D” align and click home, see diagram 4.

Lid now secured by clips, and ready to be screwed closed by the 2 screws in the base, tighten screws to a torque of 0.4 Nm

Fitting complete