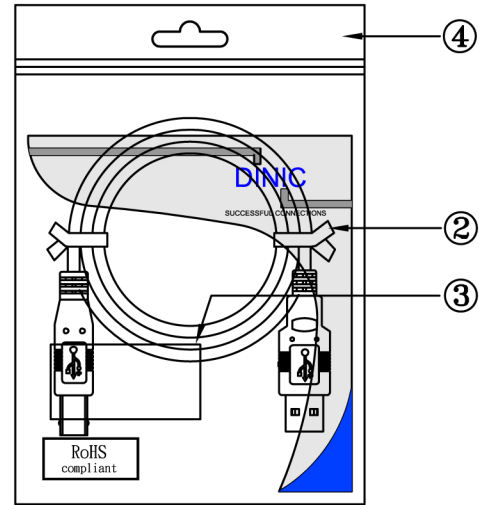
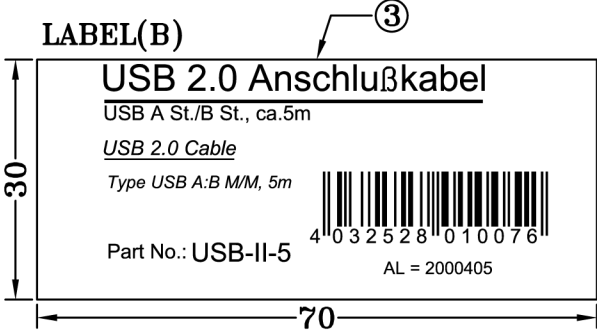
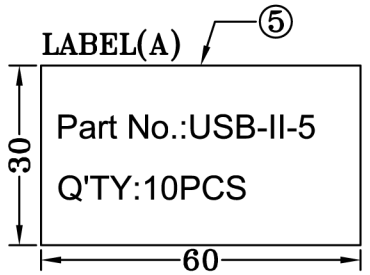
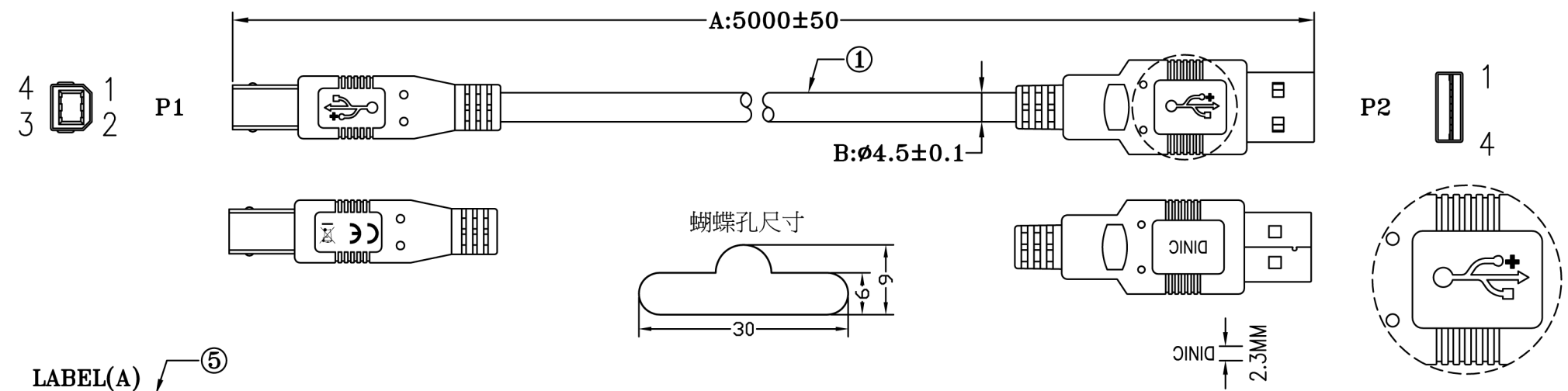


WEIGHT	CUSTOMER NO:	REMARK
153g-K1	USB-II-5	MAG



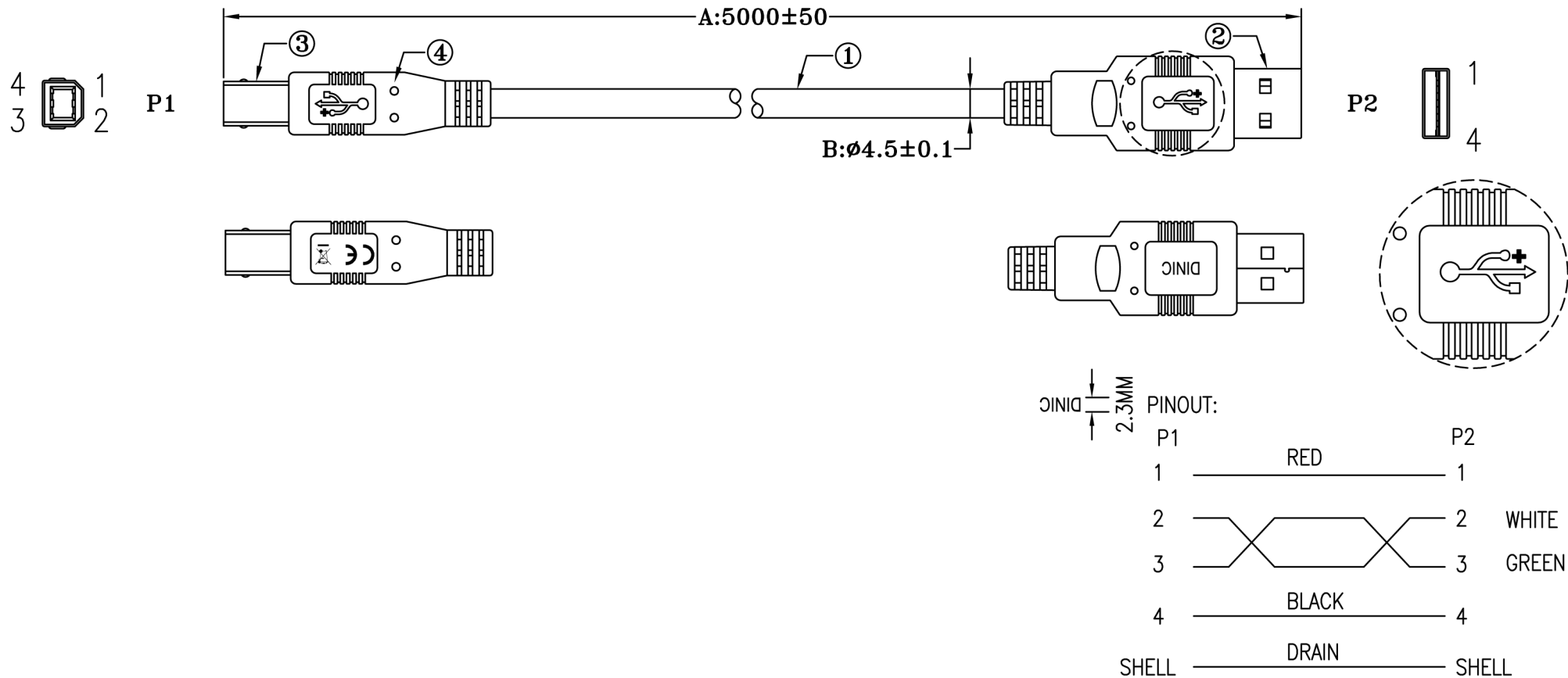
PINOUT:

P1		P2	
1	RED	1	
2		2	WHITE
3		3	GREEN
4	BLACK	4	
SHELL	DRAIN	SHELL	

- NOTE:
- 1) PRIMARY DIMENSION: A;B
 - 2) 1PC/MAG SLIP BAG+LABEL(B)
10PCS/PE BAG+LABEL(A)
 - 3) RoHS COMPLIANT.

A	FIRST EDITION	TGR	2019/12/17
REV.	DESCRIPTION	C.N.	DATE
THESE DRAWINGS AND SPECIFICATIONS ARE THE PROPERTY OF WIRETEK COMPUTER LIMITED AND SHALL NOT BE REPRODUCED COPIED OR USED IN ANY MANNER WITHOUT THE PRIOR WRITTEN CONSENT OF WIRETEK COMPUTER LIMITED.			
UNLESS OTHERWISE SPECIFIED: DIMENSIONS ARE IN MILLIMETERS ANGULAR TOLERANCE: ±1.0°		TITLE	
		USB 2.0 CABLE	
DIMENSIONS	TOLERANCE	CHKD.	CONF.
0.00 TO 30.00mm	±0.10mm		
30.01 TO 80.00mm	±0.13mm	DR.	APPD.
80.01 TO 150.00mm	±0.15mm	TGR	
150.01mm	±0.20mm	PART NO.	21130123
MATERIAL		SCALE	/
FINISH		SHEET	1 / 1
		UNIT	MM
		SIZE	A4
		REV.	A

WEIGHT	CUSTOMER NO:	REMARK
153g		



NOTE:

- 1) PRIMARY DIMENSION: A;B
- 2) P1 DIE NO:OU04012
- 3) P2 DIE NO:OU04022
- 4) RoHS COMPLIANT.

4	OUTER JACKET PVC 45Pa LIGHT GRAY(2005) (RoHS)
3	USB B/M WHITE SOLDER TYPE
2	USB A/M WHITE MOLDED SOLDER TYPE
1	UL2725 USB2.0 CABLE28#1P+26#2C+AEB(64BAM) OD:4.5MM LIGHT GRAY(2005) 5000MM RoHS

A	FIRST EDITION	TGR	20119/12/17										
REV.	ECR	DESCRIPTION	C.N. DATE										
<small>THESE DRAWINGS AND SPECIFICATIONS ARE THE PROPERTY OF WIRETEK COMPUTER LIMITED AND SHALL NOT BE REPRODUCED COPIED OR USED IN ANY MANNER WITHOUT THE PRIOR WRITTEN CONSENT OF WIRETEK COMPUTER LIMITED.</small>		TITLE USB 2.0 CABLE											
<small>UNLESS OTHERWISE SPECIFIED: DIMENSIONS ARE IN MILLIMETERS ANGULAR TOLERANCE: ±1.0°</small>		CHKD. DR. TGR	CONF. APPD.										
<table border="1"> <thead> <tr> <th>DIMENSIONS</th> <th>TOLERANCE</th> </tr> </thead> <tbody> <tr> <td>0.00 TO 30.00mm</td> <td>±0.10mm</td> </tr> <tr> <td>30.01 TO 80.00mm</td> <td>±0.13mm</td> </tr> <tr> <td>80.01 TO 150.00mm</td> <td>±0.15mm</td> </tr> <tr> <td>150.01mm</td> <td>±0.20mm</td> </tr> </tbody> </table>		DIMENSIONS	TOLERANCE	0.00 TO 30.00mm	±0.10mm	30.01 TO 80.00mm	±0.13mm	80.01 TO 150.00mm	±0.15mm	150.01mm	±0.20mm	PART NO. 51130056	
DIMENSIONS	TOLERANCE												
0.00 TO 30.00mm	±0.10mm												
30.01 TO 80.00mm	±0.13mm												
80.01 TO 150.00mm	±0.15mm												
150.01mm	±0.20mm												
MATERIAL		SCALE /	SHEET 1 / 1										
FINISH		UNIT MM	SIZE A4										
		REV. A											