

PowerConnections

3 Pin Schuko Converter Plug Technical Data & Fitting Instructions

Description

The 3 Pin Schuko Converter Plug (SCP3) is an adapter that converts the European IEC 60083:1975 Standard C 2b, C4, C5, and C6 plug to the BS 1363 system format. The plug is designed and manufactured to meet the requirements of BS 1363-5. It complies fully with the LVD and Plug and Socket safety regulations. The design of the clamping method ensures the body of the European IEC 60083:1975 Standard C 2b, C4, C5, and C6 plug is enclosed.

Classification

- Adapter, Single portable,
- Re-wireable plug,
- Fused,
- Normal use,
- Converts European IEC 60083:1975 Standard C 2b, C4, C5, and C6 plug to the BS 1363 format.
- Suitable for Class 1 and 2 devices (earthed and unearthed).
- Not Suitable for any other plug system.

Certification

- BSi Kitemark KM 23223

Relevant Standards

- BS 1363-5 — Conversion plug
BS 1362 — Fuse link

Rating

- | | |
|----------------------------|--------------------------------------|
| - Voltage | 240V ac |
| - Current | 13 amps max, |
| - Load | 3000 watts max. |
| - Frequency | 50 Hz |
| - Environmental Protection | IP 3X (STD BS1363 accessory rating). |
| - Fuse | 13 amp BS 1362. |
| - Flammability | V2 (external Casing) |
| - Mechanical Strength | 1000 grams @ 500mm |
| - Colour | Black or White |
| - Weight | 60 grams typical |
| - Finish | Plain and fine sparkle |
| - Retaining Screw | Plain or Tamperproof |

Note: - Tolerance as per relevant British Standard

Safety Design Features

- Double mechanical interlocks to prevent the SCP3 from being inserted into the socket outlet without the cover and retaining screws being properly secured.
- Hinged cover
- External fuse access, opening of SCP3 not required
- No loose parts
- Plug features designed to meet the requirements of BS1363.
- Meets the requirements of the DTI Plug and Socket regulations.

Note: The SCP3 should be used with double pole protected appliances only

Installation System

The 3 Pin Schuko Converter Plug (SCP3) is designed for use within the BS1363 Plug and Socket system only, as defined by the IEE Wiring Regulations BS 7671

PowerConnections

Fitting

The 3 Pin Schuko Converter Plug (SCP3) should be fitted as follows (see full details below):

1. Open SCP3
2. Insert the Schuko Plug into the SCP3.
3. Close lid ¹
4. Tighten retaining screws ² to 0.4N.m (4.08Kgf.cm).
5. Assembly complete

NOTE 1: - If the cover does not close fully, this may mean that the Schuko Plug has not been correctly fitted, check, and rectify before use.

NOTE 2: - This torque setting is for hand screwdrivers, if required, please contact us for guidance regarding power screwdriver settings

Service Conditions

- Temperature Range
 - Storage -40 °C to +80 °C Ambient
 - Working -05 °C to +35 °C 95% RH Ambient
- Altitude 2000m above sea level max.
- Not subject to exposure to direct radiation from the sun
- Abnormal Condition - Avoid pollution by smoke, chemical and flammable fumes salt laden spray, periods of high humidity > 95% relative humidity (RH)

PowerConnections

SCP3 FITTING INSTRUCTIONS Straight Schuko



Diagram 1

Product received closed

Insert thumbs at "A" and "B" and pull open lid.

Product now ready to use, see diagram 2

PowerConnections



Diagram 2

Get plug and install in to clips, and close lid aligning clips, see diagram 3.

PowerConnections

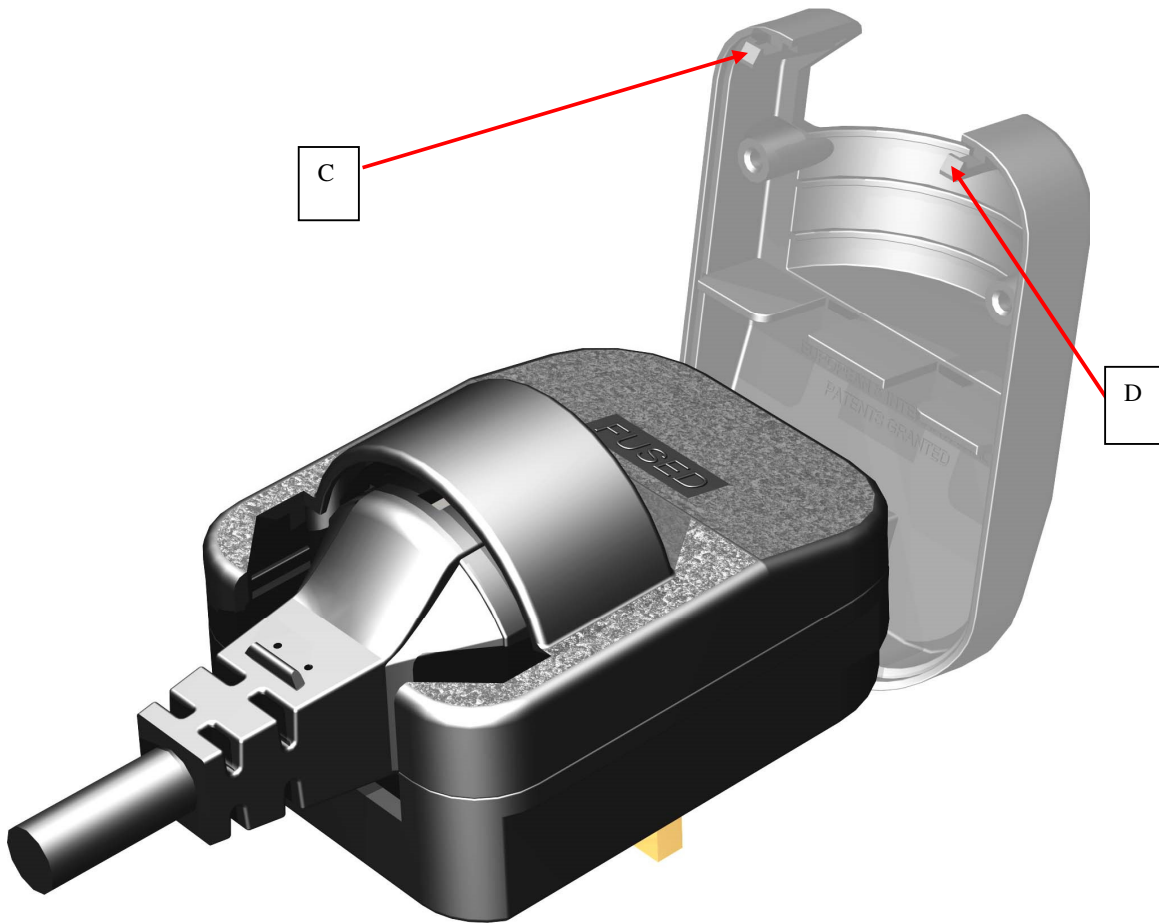


Diagram 3

Close lid

Ensure clips "C" and "D" align and click home, see diagram 4.

PowerConnections

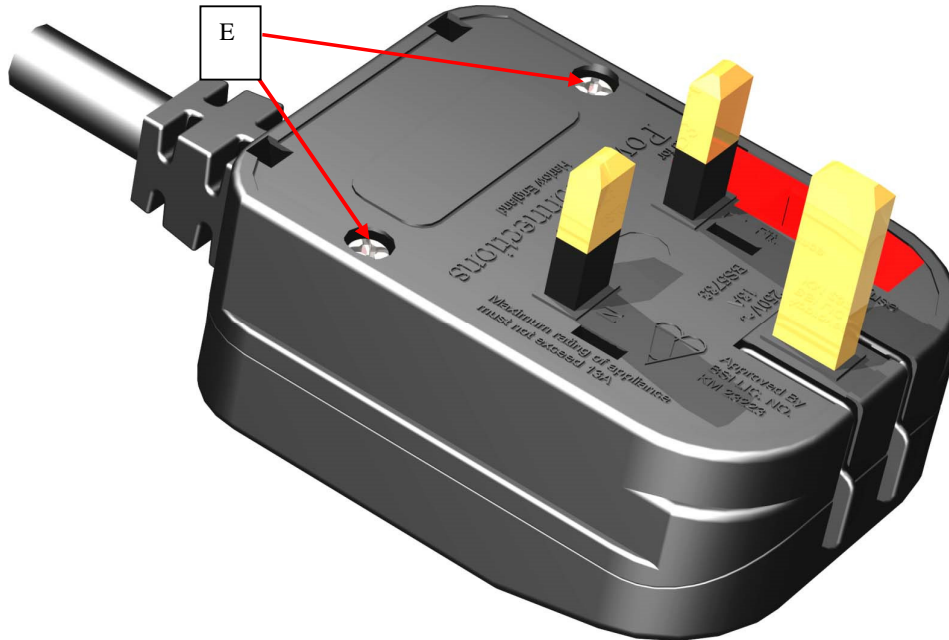


Diagram 4

Lid now secured by clips, and ready to screw up as shown, tighten screws to a torque of 0.4 Nm (**Maximum**)

Fitting complete

PowerConnections

SCP3 FITTING INSTRUCTIONS

Right Angle Schuko

The SCP3 should be used with double pole protected appliances only



Diagram 1

Product received closed

Insert thumbs at “A” and “B” and pull open lid.

Product now ready to use, see diagram 2



Diagram 2

Get plug and install in to clips, and close lid aligning clips, see diagram 3.

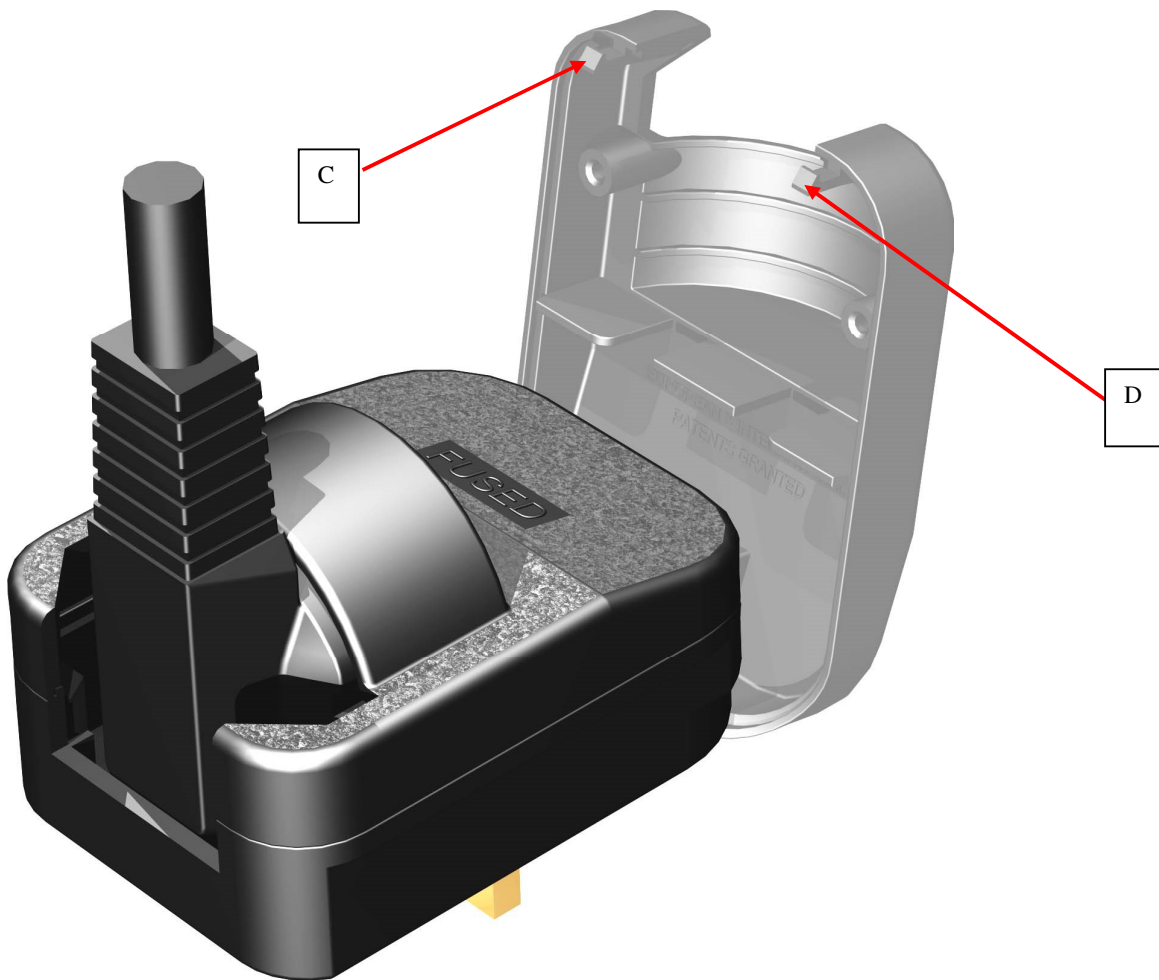


Diagram 3

Close lid

Ensure clips "C" and "D" align and click home, see diagram 4.

PowerConnections

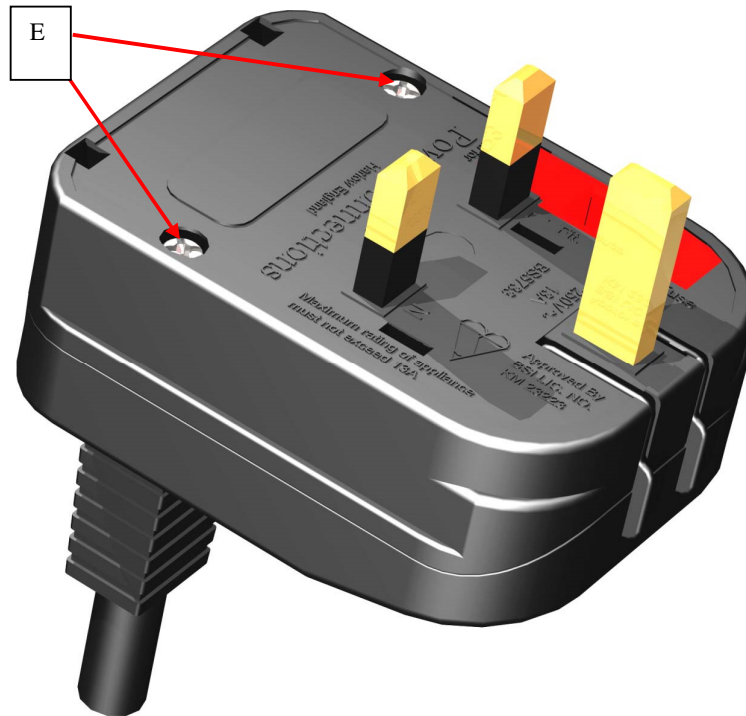


Diagram 4

Lid now secured by clips, and ready to screw closed (2 screws “E”) as shown, tighten screws to a torque of 0.4 Nm (**Maximum**)

Fitting complete