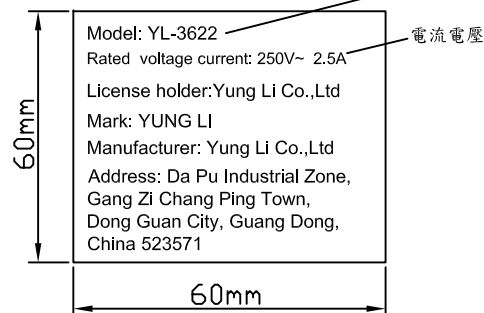
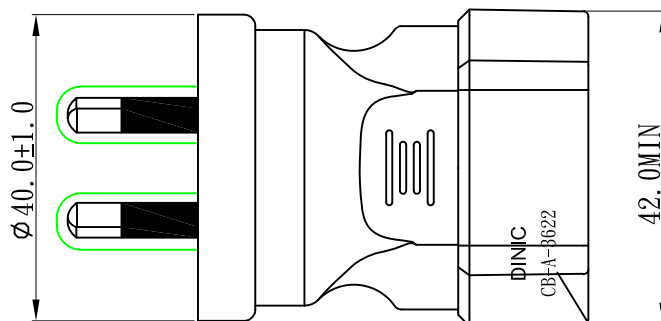


外箱標籤:每箱貼一張



產品型號

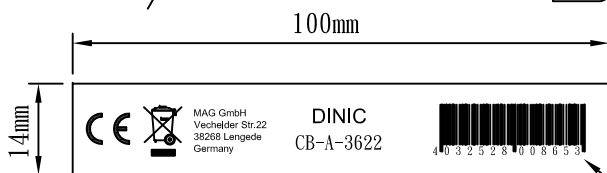
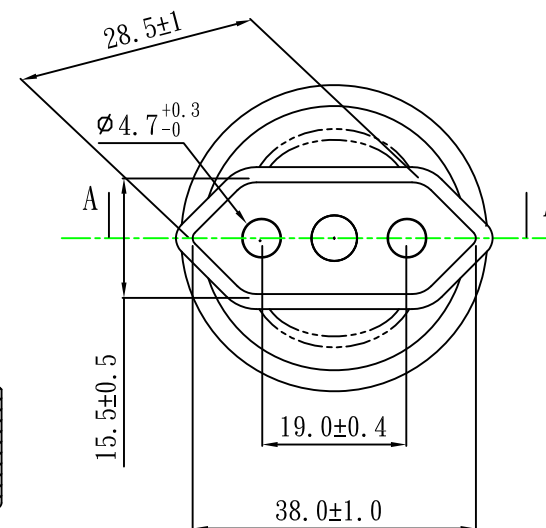
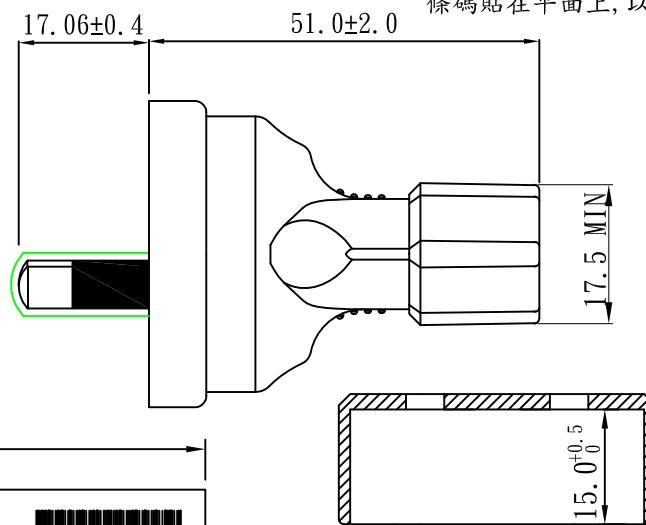
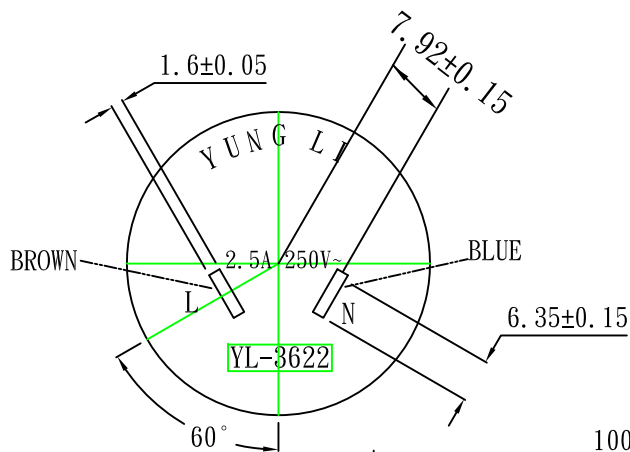
電流電壓



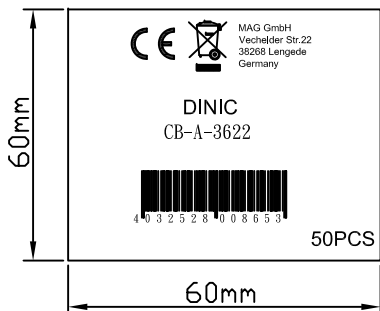
Note:

1. Rating: 2.5A 250V
2. Insulation Resistance: 100MΩ
3. Dielectric Voltage: 2000V/sec

平齊此處貼標籤,文字方向如圖,
 條碼貼在平面上,以便掃描



掃描內容為:
 4032528008653



袋子標籤:每袋裝50PCS,貼一張標籤

Tolerance >0±0.30 >1.0±0.50 >10.0±1.0 >20.0±2.0 Angle: ±1°	Approved		Date		YUNG LI CO.,LTD			
	Checked		Date					
	Drawn	SUKI	Date	21.11.24	Customer	MAG		
	Cat. No.	YL-3622			P/N.	CB-A-3622		
	Drawing No.	CY-A3622-04	Rev.	B	Material	P.V.C	Unit	mm
				HEFT(g)	45			