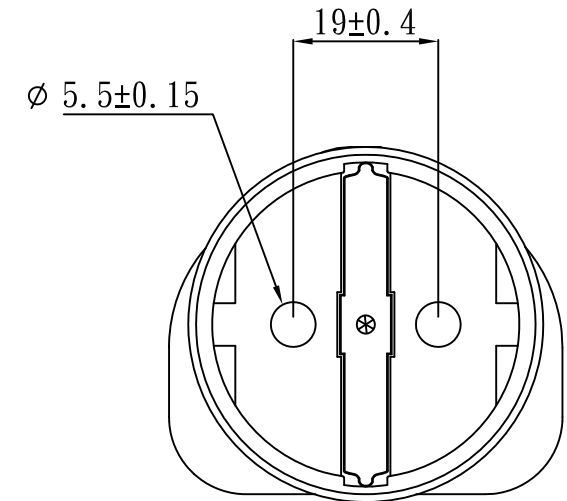
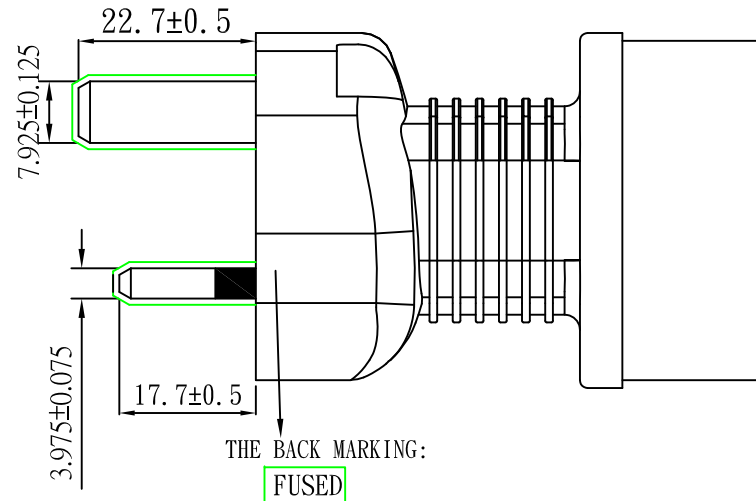
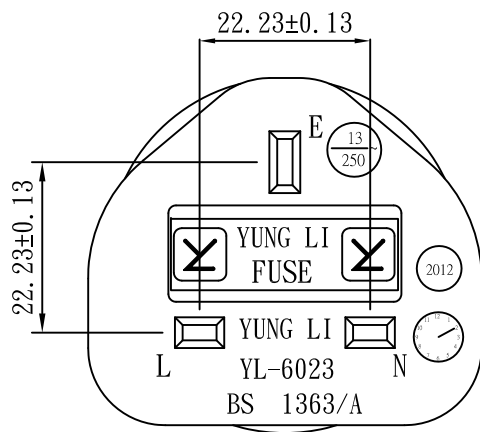


Note:

1. Rating: 13A 250V
2. Insulation Resistance: 100MΩ
3. Dielectric Voltage: 2000V/sec



THE BACK MARKING:

FUSED

|  |          |              |      |          |                  |      |    |  |
|--|----------|--------------|------|----------|------------------|------|----|--|
| TOLERANCE<br>>0±0.30<br>>1.0±0.50<br>>10.0±1.0<br>>20.0±2.0<br>Angle:<br>±1° | APPROVED |              | DATE |          | YUNG LI CO., LTD |      |    |  |
|  | CHECKED  |              | DATE |          |                  |      |    |  |
|  | DRAWN    |              | DATE |          |                  |      |    |  |
|  | TYPE     | YL-6023(13A) |      |          | P/N              |      |    |  |
| DRAWING NO.  | CY-A6023 |              |      | MATERIAL | P. V. C          | UNIT | mm |  |
|  |          |              |      | SCALE    | 1:1              |      |    |  |