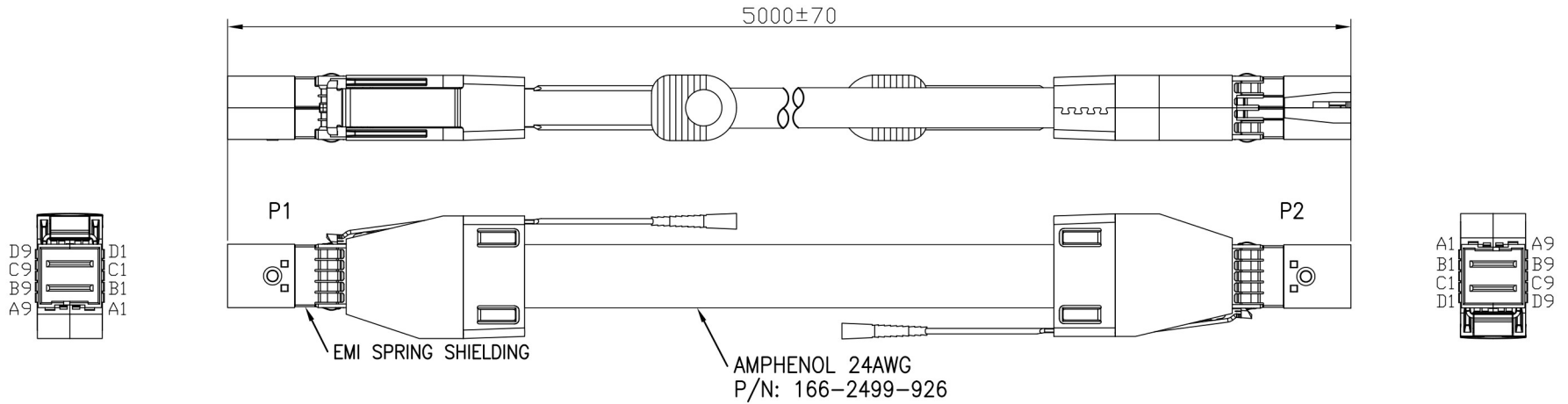


1	2	3	4	5	6	7	8	9
REV.	REMARK	DATE	SIGN.					

RoHS



MATERIAL RoHS COMPLIANT:

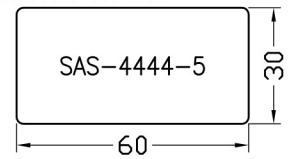
1.CABLE:

PAIR COMPONENT:
 CONDUCTOR: 24AWG SOLID SILVER PLATED.
 DRAIN WIRE: 27AWG SOLID TINNED COPPER.
 CORE: 8 PAIRS
 PAIR SHIELD: ALUMINUM/POLYESTER TAPE. ALUMINUM SIDE FACING IN, 20% OVERLAP
 FINAL ASSEMBLY:
 INNER SHIELD: ALUMINUM/POLYESTER TAPE, ALUMINUM SIDE FACING OUT, 20% OVERLAP.
 OUTER SHIELD: 36WG TIN PLATED COPPER BRAID, 85% COVERAGE.
 DIAMETER: 9.91±0.381 MM NOMINAL, COLOR: BLACK
 DIFFERENTIAL IMPEDANCE: 100±5 OHMS @TDR
 MUTUAL CAPACITANCE: 42PF/M NOMINAL.
 TIME DELAY: 4.25NS/M.
 PRINT LEGEND:
 SPECTRA-STRIP SKEWCLEAR 8 PAIR 24 AWG EXF-11 (UL) 75°C CL2 FT4 RoHS COMPLIANT

2.CONNECTOR:

P1,P2: Mini SAS HD 4x CABLE PLUG (SFF-8644)
 (1) P.C.B: 4 LAYERS, GOLD PLATING ON CONTACT PADS, WITHOUT CARBON (P/N: MPCB-040117LF REV.A / SPCB-040118A)
 (2) LATCH: STAINLESS STEEL
 (3) BACKSHELL- ZINC DIE CASTING HOOD/ NICKEL PLATING
 (4) PULL TAB: NYLON UL94V-0, COLOR: BLUE.
 (5) EMI SPRING SHIELDING
 3.FOR SAS 12.0 Gbps.
 4.TWO-WIRED SERIAL MEMORY: ATMEL AT24C02B EEPROM (256 BYTES).

5.LABELING ON BAG:

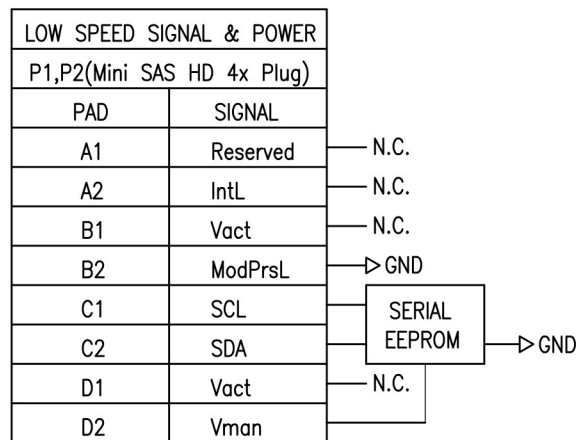
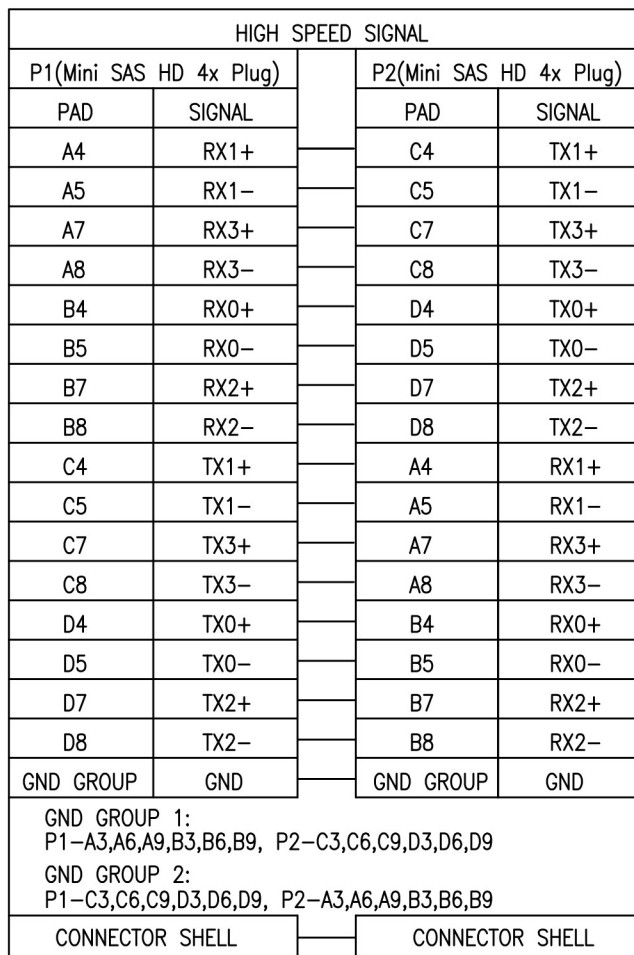


DESC.	Mini SAS HD 4x/Mini SAS HD 4x CABLE ASS'Y	APPROVED	CHECKED	DESIGNED	TOLERANCE	SCALE	*	UNIT	mm	
P/N	UASS-RC008028	CUSTOMER P/N	SAS-4444-5		Sino	DATE	12/13/'16	DWG NO:	DWG\RC\8028	

1	2	3	4	5	6	7	8	9
---	---	---	---	---	---	---	---	---

1	2	3	4	5	6	7	8	9
REV.	REMARK	DATE	SIGN.					

WIRING DIAGRAM



	DESC.	Mini SAS HD 4x/Mini SAS HD 4x CABLE ASS'Y	APPROVED	CHECKED	DESIGNED	TOLERANCE	SCALE	*	UNIT	mm	
	P/N	UASS-RC008028	CUSTOMER P/N			Sino	*	DATE	12/13/'16	DWG NO:	DWG\RC\8028

1	2	3	4	5	6	7	8	9
---	---	---	---	---	---	---	---	---