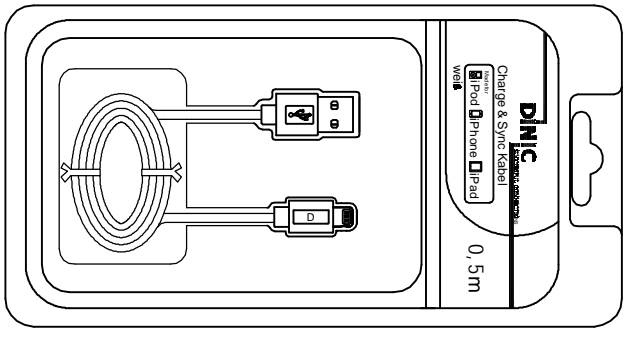
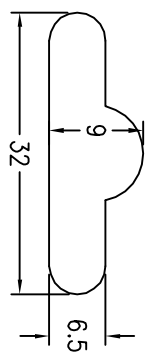
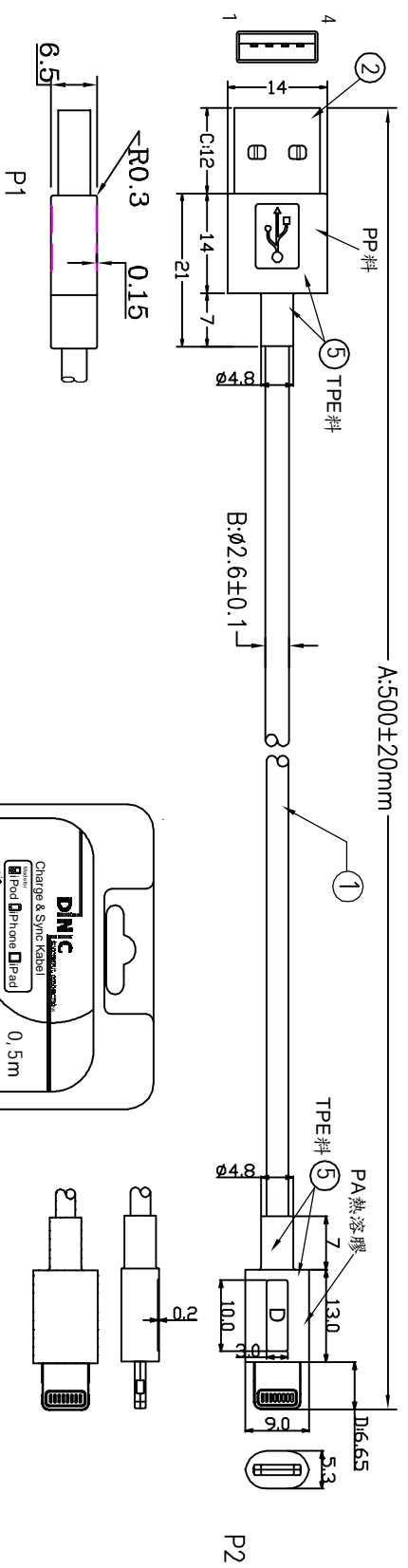


WEIGHT	CUSTOMER NO.:	REMARK
18g-K1	IP-MFL-L05	MAG



PIN ASSIGNMENT

P1	1	RED	P2	4
USB AM	3	GREEN	LIGHTNING	3
	2	WHITE		2
	4	S		1
		SHELL		

6	OUTER JACKET TPE 45Pa WHITE(1927) ROHS
5	Apple Lightning Connector Modules MF1677-2166(C48) ROHS
4	Apple Lightning Connector Modules MF1677-2166(C48) ROHS
3	Apple Lightning Connector Modules MF1677-2166(C48) ROHS
2	USB2.0 A/M SOLDER Terminal plated1U", shell plated nickel ROHS
1	NON-UL 32#*2C(WHITE&GREEN)+24#(3D)*1C(RED)+A+D+S, White OD:2.6MM 500MM ROHS(TPE)

REV. C	2014/10/20	去掉插頭廠商	DESCRIPTION	FRX	2014/10/20
REV. ECR				C.N.	DATE
<p>THESE DIMENSIONS AND SPECIFICATIONS ARE THE PROPERTY OF WIRETEL COMPUTER LIMITED AND SHALL NOT BE REPRODUCED OR USED IN ANY MANNER WITHOUT THE PRIOR WRITTEN PERMISSION OF WIRETEL COMPUTER LIMITED.</p> <p>ALL DIMENSIONS ARE IN MILLIMETERS</p> <p>ANGULAR TOLERANCE: ±1.0°</p> <p>DIMENSIONS: ±0.10mm</p> <p>0.00 TO 30.00mm ±0.10mm</p> <p>30.01 TO 80.00mm ±0.13mm</p> <p>80.01 TO 150.00mm ±0.15mm</p> <p>150.01mm ±0.20mm</p>					
MATERIAL FINISH		TITLE		PART NO.	
FINISH		Lightning to USB Cable Plug C48 (L=500MM)		50740072	
MATERIAL		CHKD.		DR.	
		SAN		JAPD.	
SCALE		SHEET		REV.	
1/1		MM		A4 C	

WFM-ED-07B