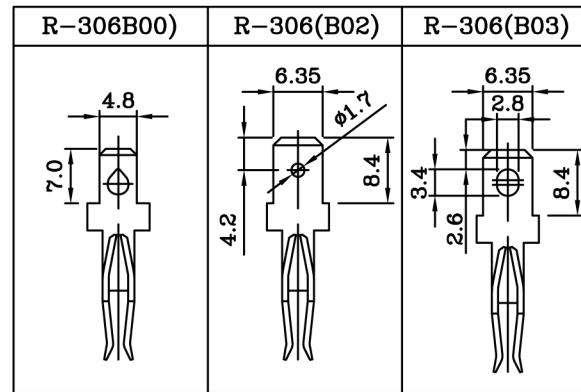
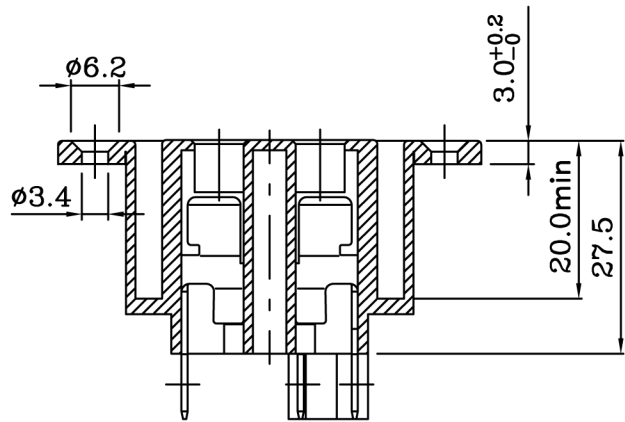


SPECIFICATION:

- INSULATION RESISTANCE: OVER 100MΩ 500V DC.
- DIELECTRIC STRENGTH: 2000V AC ONE MINUTE.
- Body Materil: Black Glass-Fiber Thermoplastic . UL 94V-2~0



Rating:AC 20A 250V	
Mark	Safety Regulation
cA _{us}	cULus
Rating:AC 16A 250V	
Mark	Safety Regulation
	VDE
	CCC

IMPORTANT THIS DRAWING FOR REFERENCE ONLY 注意：此圖只供參考用

	UNIT	UNIT QTY	SCALE	TOLERANCE X.XX±0.1 XX.XX±0.2 XXX.XX±0.3	PRODUCT NO.	CB-I-C19	REV
	mm	1	1:1				
DRAWN BY	 2009.10.21 小英	APPROVED BY	 2009.10.21 士凱	ID NO	09102101Q	INTERIM NO.	C
				DESCRIPTION		NEW NO.	