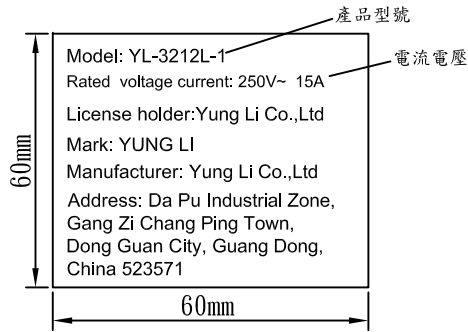


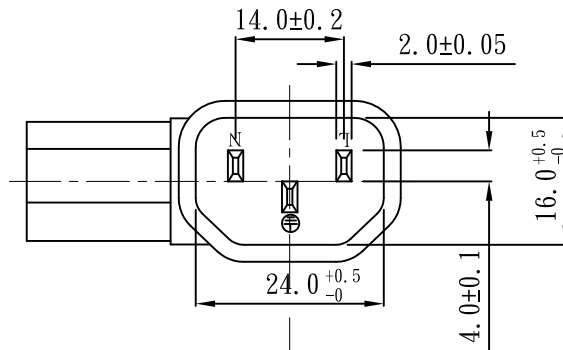
IEC 60320 C13 to Left Angle IEC 60320 C14 Plug

外箱標籤:每箱貼一張



產品型號

電流電壓

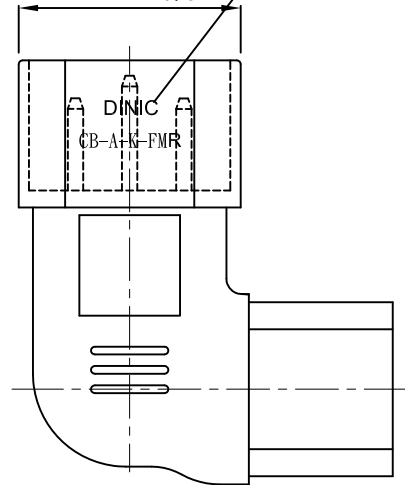


Note:

- 1.Rating:15A 250V
- 2.Insulation Resistance:100MΩ
- 3.Dielectric Voltage:2000V/sec

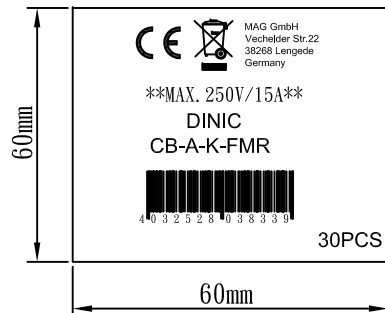
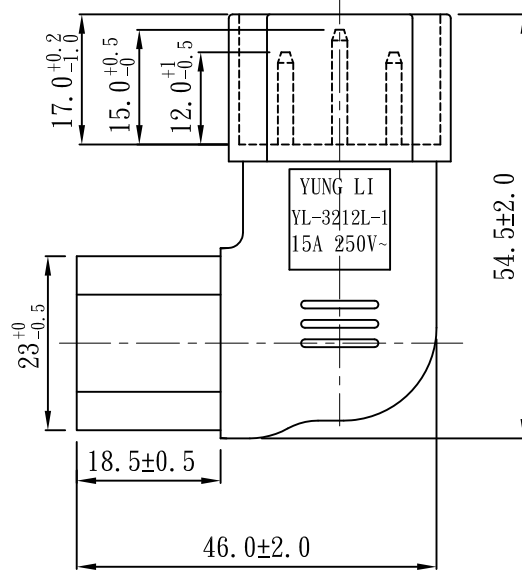
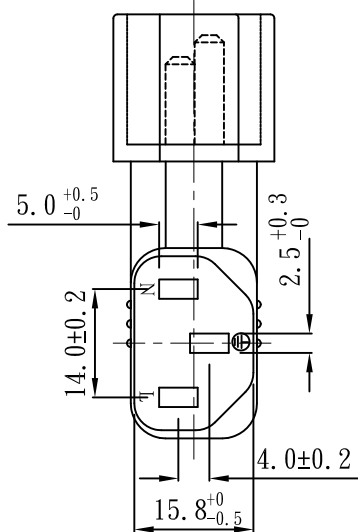
平齊此處貼標籤,文字方向如圖

21.0⁺⁰_{-0.5}
 29.0⁺⁰_{-0.5}



掃描內容為:
 4032528038339

Sample Drawing No.:
 SP230130-05



袋子標籤:每袋裝30PCS,貼一張標籤

TOLERANCE >0±0.30 >1.0±0.50 >10.0±1.0 >20.0±2.0 Angle: ±1°	APPROVED		DATE		YUNG LI CO.,LTD			
	CHECKED		DATE					
	DRAWN	SUKI	DATE	23.01.30	CUSTOMER	MAG		
	TYPE	YL-3212L-1			P/N	CB-A-K-FMR		
	DRAWING NO.		REV	B	MATERIAL	P. V. C	UNIT	mm
				SCALE	1:1			