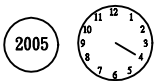
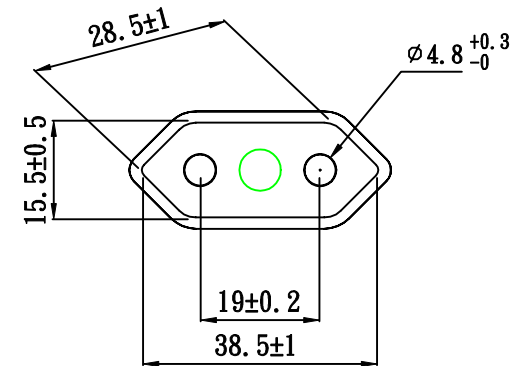
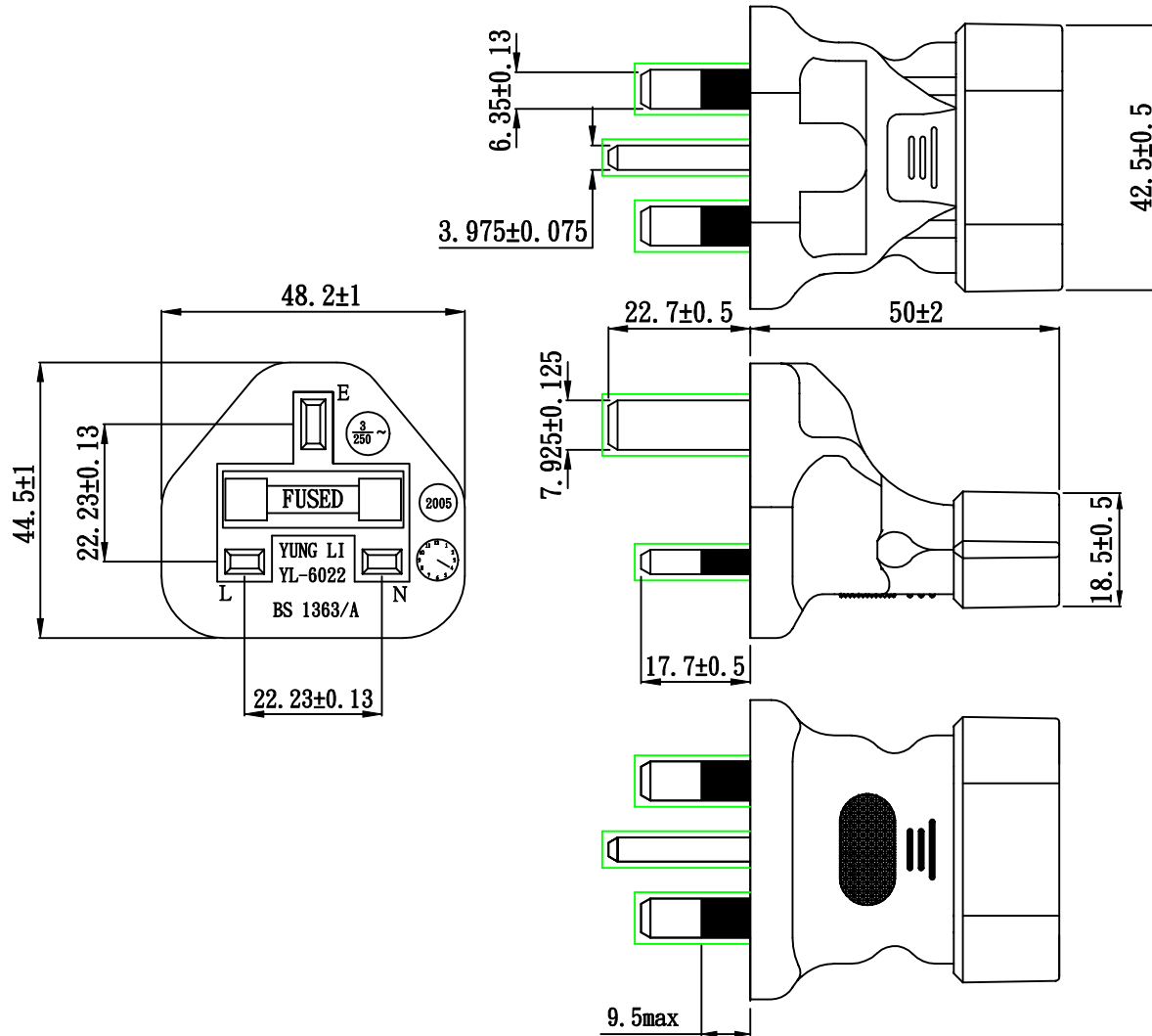


MARKING: YL-6022 YUNG-LI 3/250~ BS1363/A



Note:

- 1. Rating: 3A 250V
- 2. Insulation Resistance: 100MΩ
- 3. Dielectric Voltage: 2000V/sec



TOLERANCE >0±0.30 >1.0±0.50 >10.0±1.0 >20.0±2.0 Angle: ±1°	APPROVED		DATE		YUNG LI CO., LTD			
	CHECKED		DATE					
	DRAWN		DATE					
	TYPE	YL-6022			P/N			
	DRAWING NO.				MATERIAL	P. V. C	UNIT	mm
				SCALE	1:1			