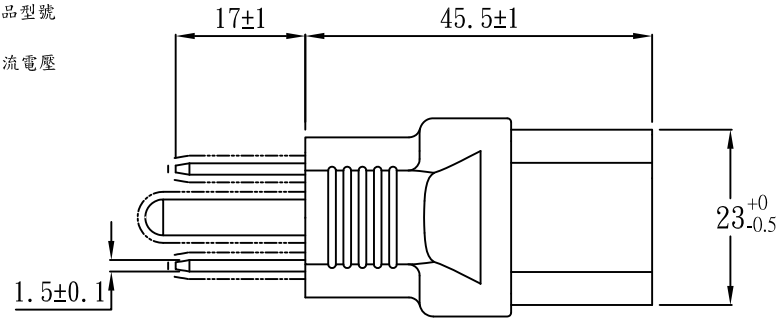


外箱標籤:每箱貼一張

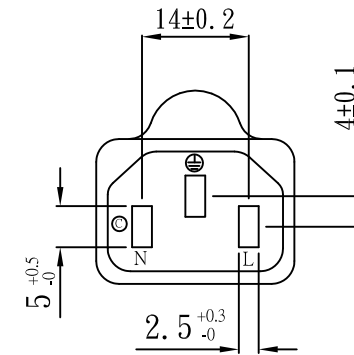
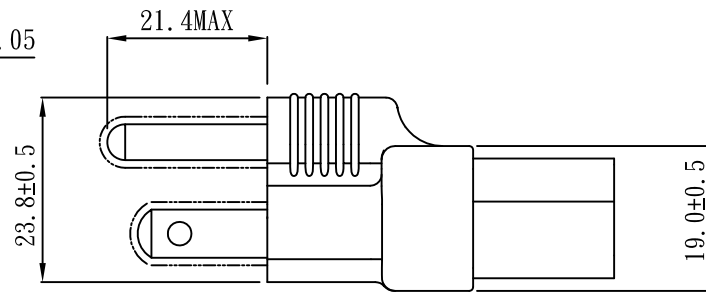
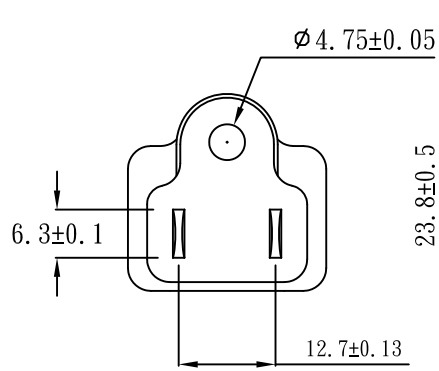


Note:

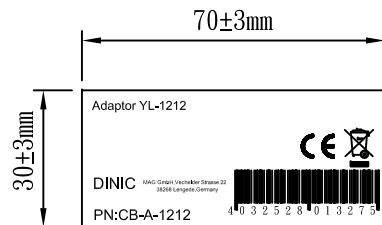
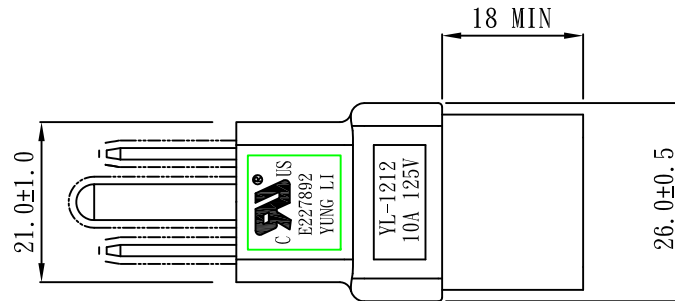
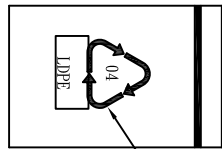
1.Rating:10A 125V

2.Insulation Resistance:100MΩ

3.Dielectric Voltage:2000V/sec



標籤貼在環保標誌的背面



TOLERANCE >0±0.30 >1.0±0.50 >10.0±1.0 >20.0±2.0 Angle: ±1°	APPROVED		DATE		YUNG LI CO., LTD			
	CHECKED		DATE					
	DRAWN	SUKI	DATE	20.11.17	CUSTOMER	MAG		
	TYPE	YL-1212			P/N	CB-A-1212		
	DRAWING NO.	CY-A1212-04	REV	B	MATERIAL	P. V. C	UNIT	mm
				SCALE	1:1			