

# 東莞永力電業有限公司

YUNG LI CO., LTD

Da Pu Industrial Zone, Gang Zi, Changping Town,  
Dong Guan City, Guangdong 523571 China.P.R.C

TEL:0769-83396797~8

FAX:0769-83396796

E-mail: sales@yung-li.com

Description: YP-45/YC-12

Customer: www.mag.de

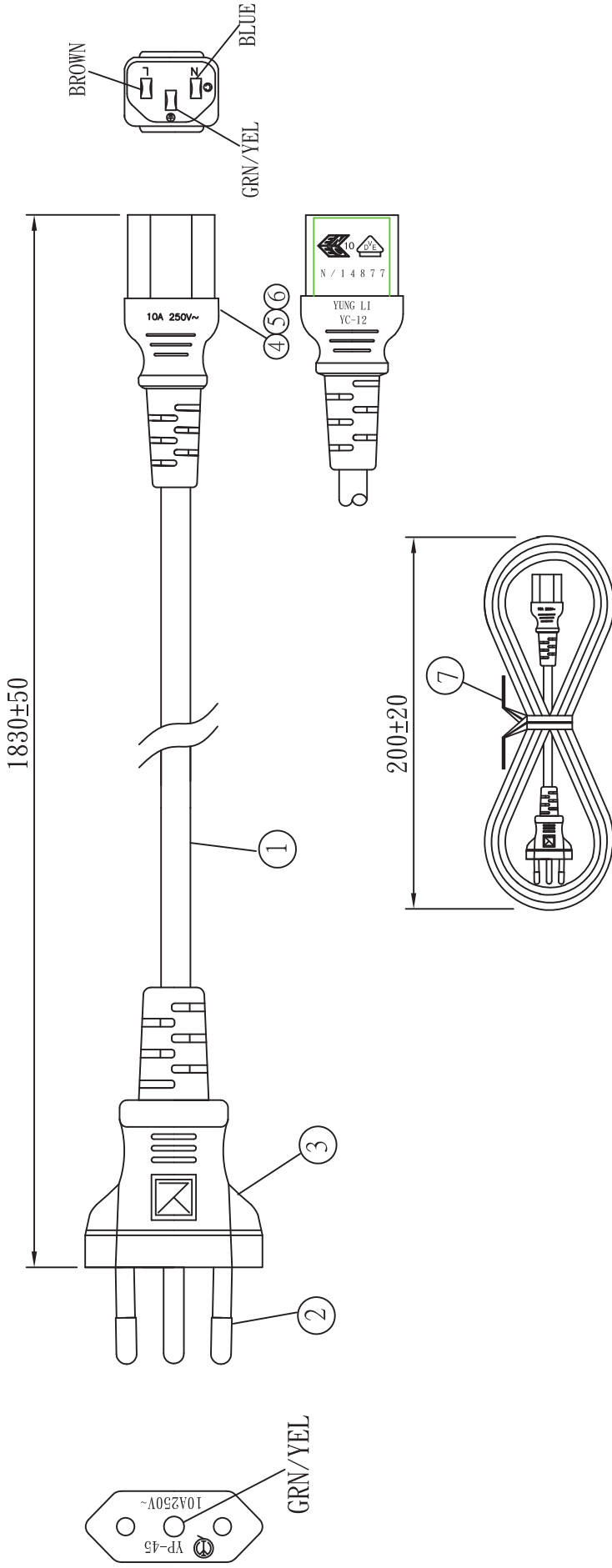
Parts No. : CB-N-IT

Draw No. :

## *REVISION RECORD*

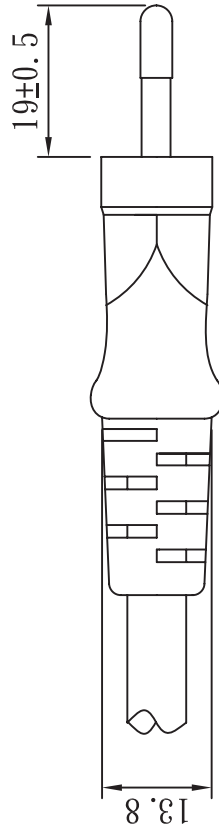
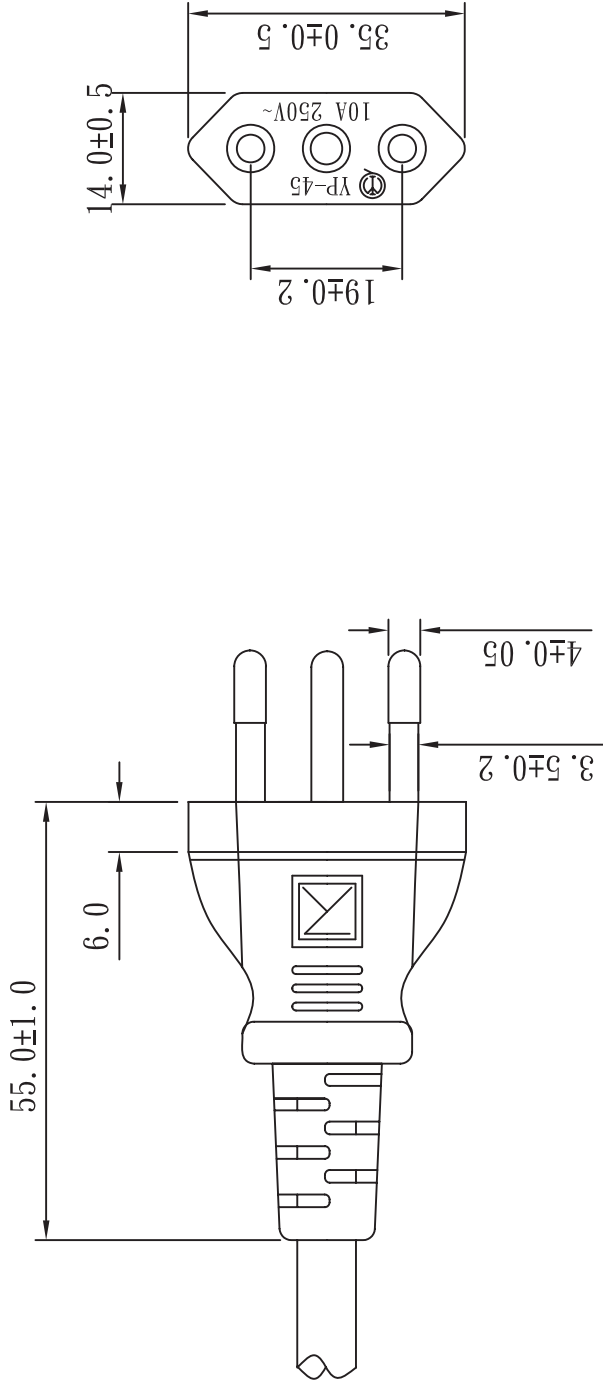
1		
2		
3		
4		
5		

YUNG LI		CUSTOMER	APPROVED
CHECKED	PREPARED BY		



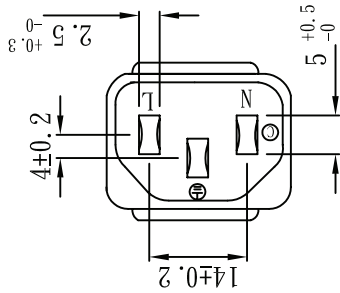
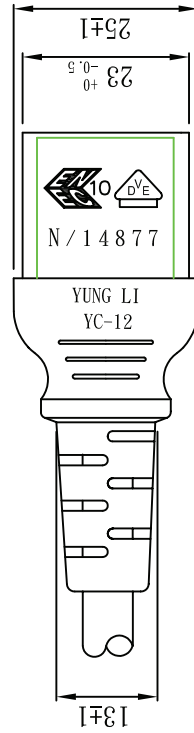
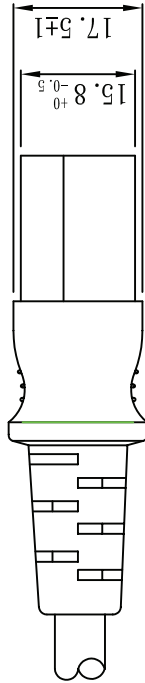
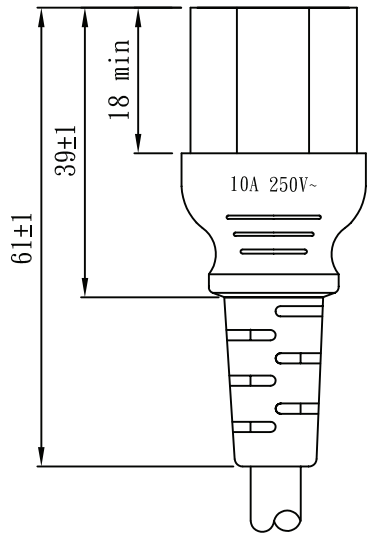
NO.	SPECIFICATION	Q'TY	REMARK
1	H05VV-F 0.75/3G BLACK	1PC	
2	IMQ FRAME BLACK	1PC	
3	YP-45 PVC PLASTIC:50P BLACK	18g/PC	
4	YC-12 PVC PLASTIC:50P BLACK	18g/PC	
5	"U" TER:97740	3PCS	
6	YC-12 INNER BODY	1PC	
7	MINI TIE:L=130mm BLACK	1PC	



Approved	Date	YUNG LI CO., LTD.	
Checked	Date	Customer	
Drawn	Date	P/N.	
Cat. No.	YP-45/YC-12		
Drawing No.	CY-10086	Rev.	B
Tolerance		Material	P.V.C
>0±0.30		Scale	
>1.0±0.50		Unit	mm
>10.0±1.0			
>20.0±2.0			
Angle: ±1°			



APPROVED		DATE	YUNG LI CO., LTD	
CHECKED	DATE	CUSTOMER		
DRAWN	DATE	P/N	MATERIAL	P.V.C
TYPE		YP-45	SCALE	1:1
P/N			UNIT	mm
DRAWING NO.		REV	B	
TOLERANCE				
>0 ± 0.30				
>1.0 ± 0.50				
>10.0 ± 1.0				
>20.0 ± 2.0				
Angle: ±1°				





APPROVED		DATE		YUNG LI CO., LTD
CHECKED		DATE		
DRAWN		DATE		
TYPE		YC-12 (VDE)		
DRAWING NO.	CY-C12V10A250VB	REV	B	CUSTOMER
TOLERANCE				P/N
>0±0.30				MATERIAL
>1.0±0.50				P.V.C
>10.0±1.0				SCALE
>20.0±2.0				1:1
Angle: ±1°				UNIT
				mm
				
				

# YUNG LI CO., LTD










## SPECIFICATION

Yung Li	Style	PVC FLEXIBLE CORDS	Document No
2012.7.18			YL-V01001
Edition	Size	<b>H05VV-F 3G 0.75mm<sup>2</sup></b>	Page
A			1/2

1. Standard: IEC 227 IEC228  
 2. Construction & Dimension

	Item	Specification
Conductor	Size	3G 0.75mm <sup>2</sup>
	Material	Annealed Bare Copper
	Construction	24/ § 0.2±0.01
Insulation	Material	PVC
	Minimum Average Thickness	0.60mm
	Minimum Thickness at any point	0.44mm
	Diameter	2.35 ± 0.10
	Identification	Blue,Brown, Yellow/Green
Core Assembly	Core Twist	3-Core
	Filler	NA
	Assembly Pair	NA
Taping	Mylar Foil	NA
Shielded	A1-Mylar Foil	NA
Drain	Material	NA
	Construction	NA
Jacket	Material	PVC
	Minimum Average Thickness	0.8mm
	Minimum Thickness at any point	0.58mm
	Overall Diameter(Approx)	6.7 ± 0.15
	Color	Any Color

### Marking:

Yung Li Co., Ltd. H05VV-F 3G 0.75mm<sup>2</sup> <VDE> NF-USE 1347  KEMA-KEUR  <ÖVE>  
     IEMMEQU Q04083  A004049 60227 IEC 53(RVV) 300/500V  SU01027-4002

# YUNG LI CO., LTD

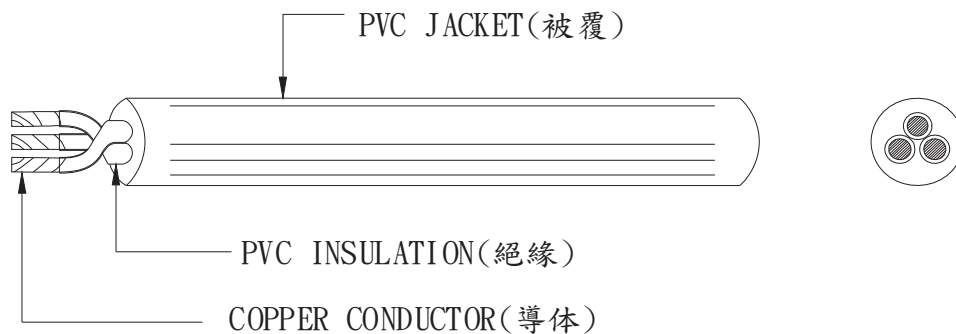
## SPECIFICATION

Yung Li	Style	PVC FLEXIBLE CORDS	Document No
2012.7.18			YL-V01001
Edition	Size	<b>H05VV-F 3G 0.75mm<sup>2</sup></b>	Page
A			2/2

### 4. Electrical & Physical Properties

Item	Specification		
Rating Voltage	70°C 300/500V		
Conductor resistance(AT 20°C)	26.0Ω/Km MAX		
Insulation Resistance(AT 70°C)	0.011MΩ/Km Min		
Dielectric Strength	AC 2.0 KV / 15 min No Break		
Spark Test	6.0KV		
Insulation	Unaged	Tensile Strength	1.02 kgf/mm <sup>2</sup> min
		Elongation	150% Min
	Aged	Tensile Strength	80~120% (80°C x168hrs)
		Elongation	80~120% (80°C x168hrs)
	Loss of mass Test		2.0mg/cm <sup>2</sup> (max)
	Jacket	Unaged	Tensile Strength
Elongation			150% Min
Aged		Tensile Strength	80~120% (80°C x168hrs)
		Elongation	80~120% (80°C x168hrs)
Loss of mass Test		2.0mg/cm <sup>2</sup> (max)	
Deformation Test		70±2°C X 4hr ≤ 50%	
Cold Bend Test		-15°C x 1hr No Crack	
Heat Shock Test		150±2°C x 1hr No Crack	

### Graph:



PID:

02113100

CID:

C.1996.5269

## Certificato di approvazione

### Approval certificate

**IMQ, ente di certificazione accreditato,  
autorizza la ditta**

*IMQ, accredited certification body, grants to*

**YUNG LI CO., LTD.  
DA PU IND. ZONE, GangZi, CHANG PING TOWN  
DONG GUAN CITY, GUANG DONG PROV.  
CN - China**

**all'uso del marchio**

*the licence to use the mark*

**IMQ**

Il presente certificato è  
soggetto alle condizioni  
previste nel "Regolamento  
IMQ - Certificazione  
prodotto" ed è relativo ai  
prodotti descritti  
nell'Allegato al presente  
certificato.



**per i seguenti prodotti**

*for the following products*

**Spine indissolubilmente  
collegate al cavo  
( Rif. di tipo YP-45 )**

*Non-rewirable plugs  
( Type ref. YP-45 )*

*This certificate is subjected to  
the conditions foreseen by "IMQ  
Rules - Product Certification"  
and is relevant to the products  
listed in the annex to this  
certificate.*

Emesso il / Issued on **1997-06-24**

Aggiornato il / Updated on **2011-09-21**

Sostituisce / Replaces **2008-06-17**

  
**IMQ** S.p.A.

**Allegato - Certificato di approvazione**  
**Annex - Approval certificate**

*Emesso il | Issued on* 1997-06-24  
*Aggiornato il | Updated on* 2011-09-21  
*Sostituisce | Replaces* 2008-06-17

## Prodotto | Product

# **Spine indissolubilmente collegate al cavo** **Non-rewirable plugs**

## Concessionario | Licence Holder

**YUNG LI CO., LTD.**  
**DA PU IND. ZONE, GangZi, CHANG PING TOWN**  
**DONG GUAN CITY, GUANG DONG PROV.**  
**CN - China**

## Marchio | Mark



IMQ

## Costruito a | Manufactured at

PLB000M3 C01175219

DONG GUAN CITY, GUANG DONG PROV.

China

*Copia del presente certificato deve essere conservata presso i luoghi di produzione sopra elencati.*

*Copy of this certificate must be available at the manufacturing places listed above*

## Norme

CEI 23-50 - II Ed. 2007 + V1:2008

## Standards

CEI 23-50 - II Ed. 2007 + V1:2008

## Rapporti | Test Reports

26AL00113

## Caratteristiche tecniche | Technical characteristics

<i>Designazione   Type designation</i>	<b>2P+T S11 / 2P+E S11</b>
<i>Tensione nominale   Rated voltage</i>	<b>250 V</b>
<i>Corrente nominale   Rated current</i>	<b>10 A</b>
<i>Grado di protezione   Degree of protection (IP)</i>	<b>IP20</b>
<i>Tipo di morsetti   Type of terminals</i>	<b>morsetti aggraffati / crimped connections</b>
<i>Materiale della custodia   Material of the cover</i>	<b>termoplastico / thermoplastic</b>
<i>Uscita cavo   Cable exit</i>	<b>assiale / straight</b>

## Articoli (con dettagli) | Articles (with details)

DAT96004815.1

<i>Marca   Trade mark</i>	<b>YUNG LI (logo)</b>
<i>Riferimento di tipo   Type reference</i>	<b>YP-45</b>
<i>Tipo di cavo   Type of cable</i>	<b>H05VV-F</b>
<i>Sezione nominale   Section areas</i>	<b>3G0,75 mm<sup>2</sup></b>

DAT96004815.2

<i>Marca   Trade mark</i>	<b>YUNG LI (logo)</b>
<i>Riferimento di tipo   Type reference</i>	<b>YP-45</b>
<i>Tipo di cavo   Type of cable</i>	<b>H05VV-F</b>
<i>Sezione nominale   Section areas</i>	<b>3G1 mm<sup>2</sup></b>

## Ulteriori informazioni | Additional Information

La spina rif. di tipo YP-45 è prodotta col seguente inserto:  
marca: GEM ; art.: P98007, colore nero o bianco.



The non-rewirable plug type ref. YP-45 is manufactured with the following insert:  
Trade mark GEM, type ref. P98007 black or white colours.

## Componenti | Component List

### Rif. di tipo/Type ref. YP-45

Tipo   Type	(*)	Costruttore   Manufacturer	Riferimento   Type Ref.	Dati   Data	Norme   Standard (*)	Marchi   Marks
Cavo   Cable	2	YUNG LI	YUNG LI	H05VV-F	-	IMQ

Emesso il | Issued on **2011-09-21**

Data di aggiornamento | Updated on

Sostituisce | Replaces

Ciascun componente è contraddistinto da un numero avente il seguente significato:

- 1 - Componente marchiato e sostituibile con altro pure marchiato con caratteristiche equivalenti
- 2 - Componente sostituibile solo previa autorizzazione dell'IMQ
- 3 - Componente (integrato nell'apparecchio utilizzatore) provato congiuntamente all'apparecchio utilizzatore
- 4 - Componente in alternativa
- 5 - Componente per uso opzionale
- 6 - Componente da abbinare

Each component is signed by a number having the following meaning:

- 1 - Approved component replaceable with another one also approved with equivalent characteristics
- 2 - Component replaceable with IMQ authorization only
- 3 - Integrated component tested together with appliances
- 4 - Alternative component
- 5 - Component for optional use
- 6 - Component to be matched

(\*) Queste colonne sono compilate a cura di IMQ / These columns are filled in by IMQ

## Diritti di concessione | Annual Fees

DAT96004815 BTL.021100.DA19

Diritti modelli IMQ - 0211 - Prese, spine e connettori di uso domestico | IMQ models - 0211 - Plugs and appliance couplers for domestic purposes

1



IMQ S.p.A.

## ZEICHENGENEHMIGUNG MARKS APPROVAL

Yung-Li Co. Ltd.  
Da Pu Industrial Zone, Cang Zi  
Chang Ping Town  
523571 DONG GUAN CITY  
Guangdong  
CHINA

ist berechtigt, für ihr Produkt /  
is authorized to use for their product

**Gerätesteckdose, nicht-wiederanschließbar**  
**Connector, non-rewirable**

die hier abgebildeten markenrechtlich geschützten Zeichen  
für die ab Blatt 2 aufgeführten Typen zu benutzen /  
the legally protected Marks as shown below for the types referred to on page 2 ff.



Geprüft und zertifiziert nach /  
Tested and certified according to

DIN EN 60320-1 (VDE 0625-1):2008-05; EN 60320-1:2001 + A1:2007

VDE Prüf- und Zertifizierungsinstitut GmbH  
VDE Testing and Certification Institute  
Zertifizierungsstelle / Certification

VDE Zertifikate sind nur gültig bei Veröffentlichung unter:  
VDE certificates are valid only when published on:

# VDE

Aktenzeichen: 1609800-1550-0003 / 148086

File ref.:

Ausweis-Nr. 40029577

Blatt 1

Certificate No.

Page

Weitere Bedingungen siehe Rückseite und Folgebätter /  
further conditions see overleaf and following pages

Offenbach, 2010-03-05

(letzte Änderung/updated 2011-08-16 )

<http://www.vde.com/zertifikat>

<http://www.vde.com/certificate>



Name und Sitz des Genehmigungs-Inhabers / Name and registered seat of the Certificate holder

Yung-Li Co. Ltd., Da Pu Industrial Zone, Cang Zi, Chang Ping Town, 523571 DONG GUAN CITY,  
Guangdong, CHINA

Aktenzeichen / File ref.

1609800-1550-0003 / 148086 / FG31 / E

letzte Änderung / updated Datum / Date

2011-08-16

2010-03-05

Dieses Blatt gilt nur in Verbindung mit Blatt 1 des Zeichengenehmigungsausweises Nr. 40029577  
*This supplement is only valid in conjunction with page 1 of the Certificate No. 40029577.*

**Gerätesteckdose, nicht-wiederanschließbar**  
**Connector, non-rewirable**

Typ(en) / Type(s):

- 1) YC-12
- 2) YC-12L

Bemessungsspannung  
Rated voltage

AC 250 V

Bemessungsstrom  
Rated current

10 A

Polzahl  
Number of poles

2-polig mit Schutzkontakt  
2-pole with earthing contact

Bauart  
Kind of construction

Normblatt C13  
standard sheet C13

Warenzeicheninhaber  
Trademark holder

Yung Li Co. Ltd.

Produktinformation  
Product information

siehe Anlage Nr. 300 + 400 + 900  
see Appendix No. 300 + 400 + 900

PAK

Das Produkt entspricht den Anforderungen gemäß PAK-Dokument  
ZEK 01.2-08.

PAH

*The product is in accordance with the requirements of  
PAH-document ZEK 01.2-08.*

Fortsetzung siehe Blatt 3 /  
continued on page 3



# VDE Prüf- und Zertifizierungsinstitut

## ZEICHENGENEHMIGUNG MARKS APPROVAL

Yung-Li Co. Ltd.  
Da Pu Industrial Zone, Cang Zi  
Chang Ping Town  
523571 DONG GUAN CITY  
Guangdong  
CHINA

ist berechtigt, für ihr Produkt /  
is authorized to use for their product

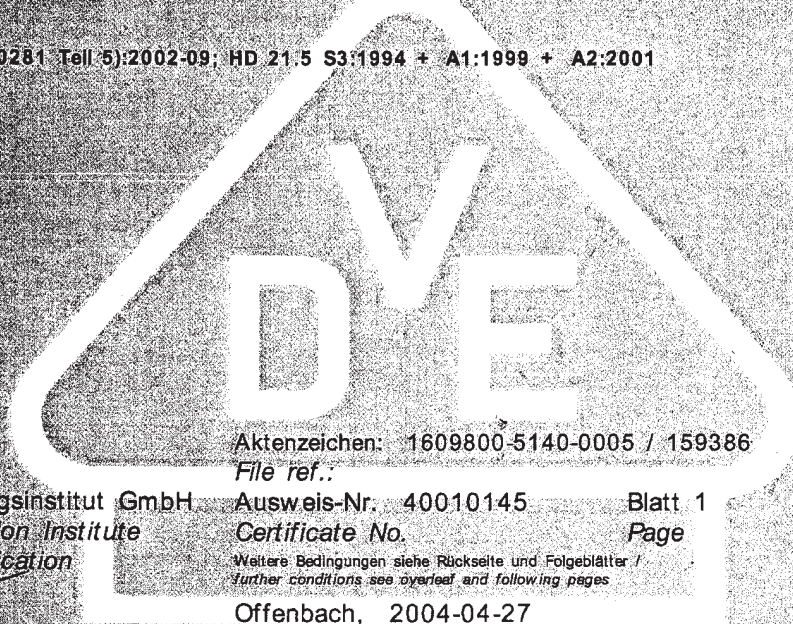
**Flexible Leitung**  
**Flexible cable (cord)**

die hier abgebildeten markenrechtlich geschützten Zeichen  
für die ab Blatt 2 aufgeführten Typen zu benutzen /  
the legally protected Marks as shown below for the types referred to on page 2 ff.



Geprüft und zertifiziert nach /  
Tested and certified according to

DIN VDE 0281-5 (VDE 0281 Teil 5):2002-09; HD 21.5 S3:1994 + A1:1999 + A2:2001



Aktenzeichen: 1609800-5140-0005 / 159386  
File ref.:

VDE Prüf- und Zertifizierungsinstitut GmbH  
VDE Testing and Certification Institute  
Zertifizierungsstelle / Certification

Ausweis-Nr. 40010145 Blatt 1  
Certificate No. Page

Weitere Bedingungen siehe Rückseite und Folgeblätter /  
further conditions see overleaf and following pages

Offenbach, 2004-04-27  
(letzte Änderung/updated 2012-03-27 )

K. Prohaska

VDE Zertifikate sind nur gültig bei Veröffentlichung unter:  
VDE certificates are valid only when published on:

<http://www.vde.com/zertifikat>  
<http://www.vde.com/certificate>

# VDE



# VDE Prüf- und Zertifizierungsinstitut Zeichengenehmigung

Ausweis-Nr. / Blatt /  
Certificate No. page  
40010145 2

Name und Sitz des Genehmigungs-Inhabers / *Name and registered seat of the Certificate holder*  
Yung-Li Co. Ltd., Da Pu Industrial Zone, Cang Zi, Chang Ping Town, 523571 DONG GUAN CITY,  
Guangdong, CHINA

Aktenzeichen / *File ref.*  
1609800-5140-0005 / 159386 / FG42 / STR

letzte Änderung / *updated* Datum / *Date*  
2012-03-27 2004-04-27

Dieses Blatt gilt nur in Verbindung mit Blatt 1 des Zeichengenehmigungsausweises Nr. 40010145  
*This supplement is only valid in conjunction with page 1 of the Certificate No. 40010145.*

## Flexible Leitung *Flexible cable (cord)*

Typ(en) / *Type(s)*:

H03VV-F 2...4 x 0,5...0,75 mm <sup>2</sup>	+
H03VVH2-F 2 x 0,5...0,75 mm <sup>2</sup>	+
H05VV-F 2...5 x 0,75...4 mm <sup>2</sup>	+
H05VVH2-F 2 x 0,75...1,0 mm <sup>2</sup>	+

Firmenzeichen YUNG LI  
*Trademark*

Dieser Zeichengenehmigungs-Ausweis bildet eine Grundlage für die EG-Konformitätserklärung und CE-Kennzeichnung durch den Hersteller oder dessen Bevollmächtigten und bescheinigt die Konformität mit den grundlegenden Schutzanforderungen der **EG-Niederspannungsrichtlinie 2006/95/EG** mit ihren Änderungen.

*This Marks Approval is a basis for the EC Declaration of Conformity and the CE Marking by the manufacturer or his agent and proves the conformity with the essential safety requirements of the EC Low-Voltage Directive 2006/95/EC including amendments.*

VDE Prüf- und Zertifizierungsinstitut GmbH  
*VDE Testing and Certification Institute*  
Fachgebiet FG42  
*Section FG42*