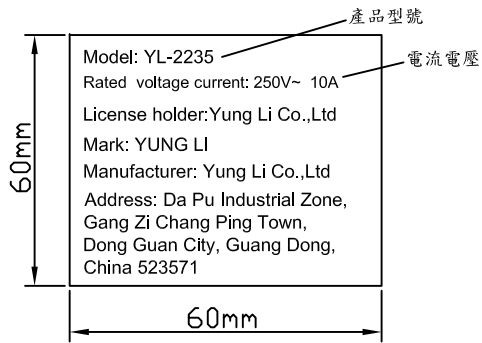
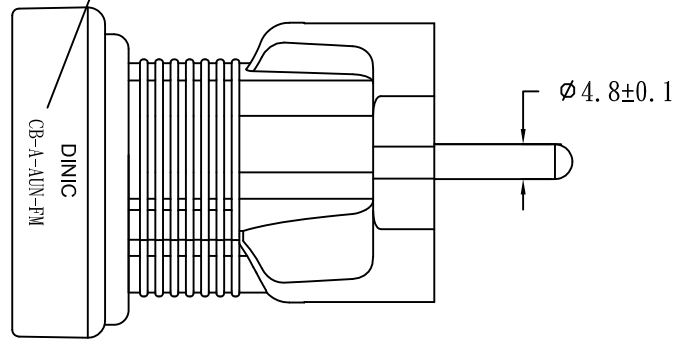


外箱標籤:每箱貼一張

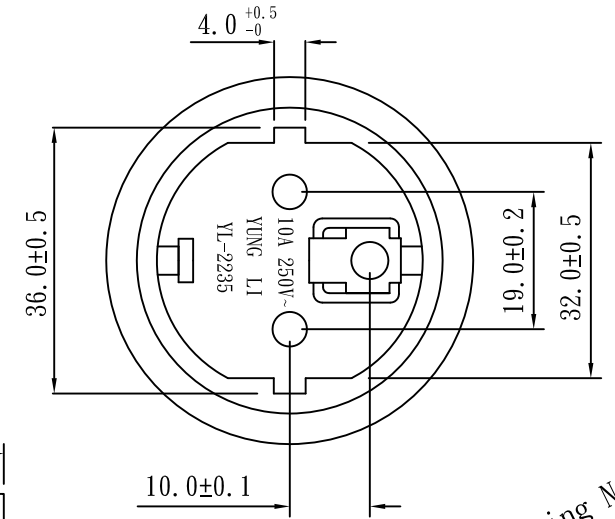
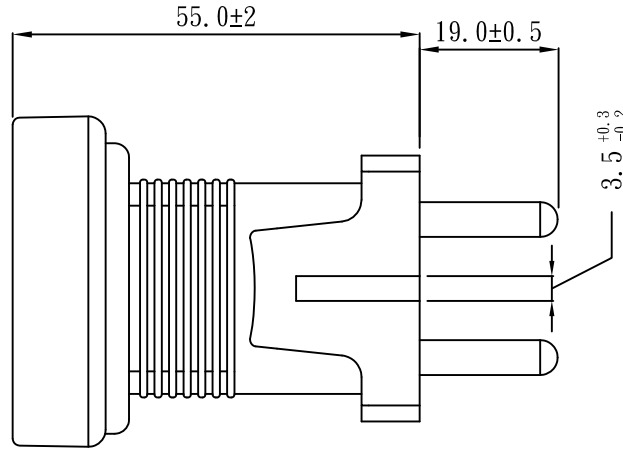
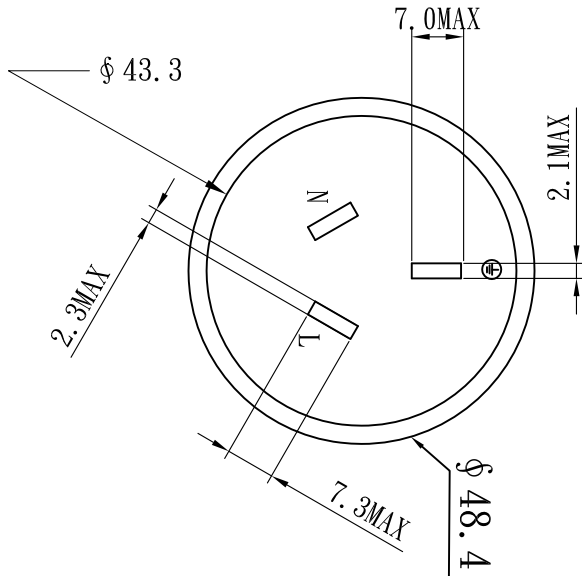


平齊此處貼標籤,文字方向如圖

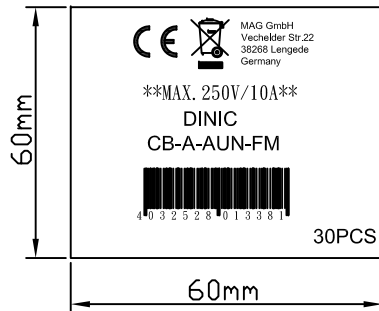


Note:

1. Rating: 10A 250V
2. Insulation Resistance: 100M Ω
3. Dielectric Voltage: 2000V/sec



掃描內容為:
4032528013381



袋子標籤:每袋裝30PCS,貼一張標籤

Sample Drawing No.:
SP210713-02

Tolerance >0 ± 0.30 >1.0 ± 0.50 >10.0 ± 1.0 >20.0 ± 2.0 Angle: $\pm 1^\circ$	Approved		Date		YUNG LI CO.,LTD			
	Checked		Date					
	Drawn	SUKI	Date	21.11.24	Customer	MAG		
	Cat. No.	YL-2235			P/N.	CB-A-AUN-FM		
	Drawing No.	CY-A2235-03		Rev.	B	Material	P.V.C	Unit
					HEFT(g)			