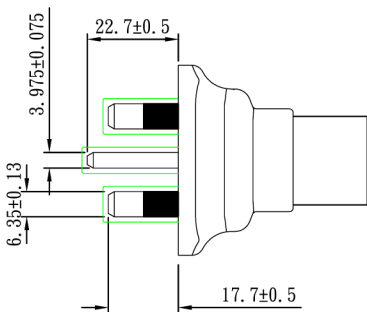
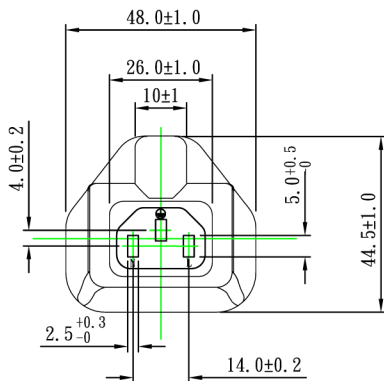
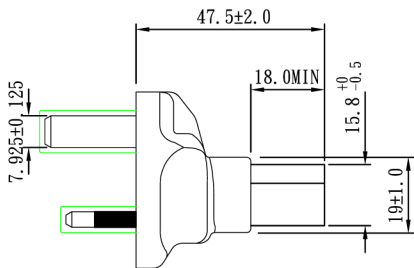
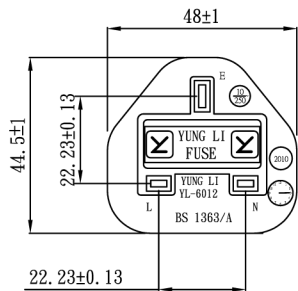


MARKING: YL-6012 YUNG-LI 10/250~ BS1363/A



**RoHS Compliant**

Note:

1. Rating: 10A 250V~
2. Insulation Resistance: 5MΩ
3. Dielectric Voltage: 3000V/sec

TOLERANCE >0±0.30 >1.0±0.50 >10.0±1.0 >20.0±2.0 Angle: ±1°	APPROVED		DATE		YUNG LI CO., LTD			
	CHECKED		DATE					
	DRAWN		DATE					
	TYPE	YL-6012			P/N			
DRAWING NO.	CY-A6012-01			SCALE	1:1	UNIT	mm	