

東莞永力電業有限公司

YUNG LI CO., LTD

Da Pu Industrial Zone, Gang Zi, Changping Town,
Dong Guan City, Guangdong 523571 China.P.R.C

TEL:0769-83396797~8

FAX:0769-83396796

E-mail: sales@yung-li.com

Description: YP-37/YC-14

Customer: MAG

Parts No. : CB-3-ARG

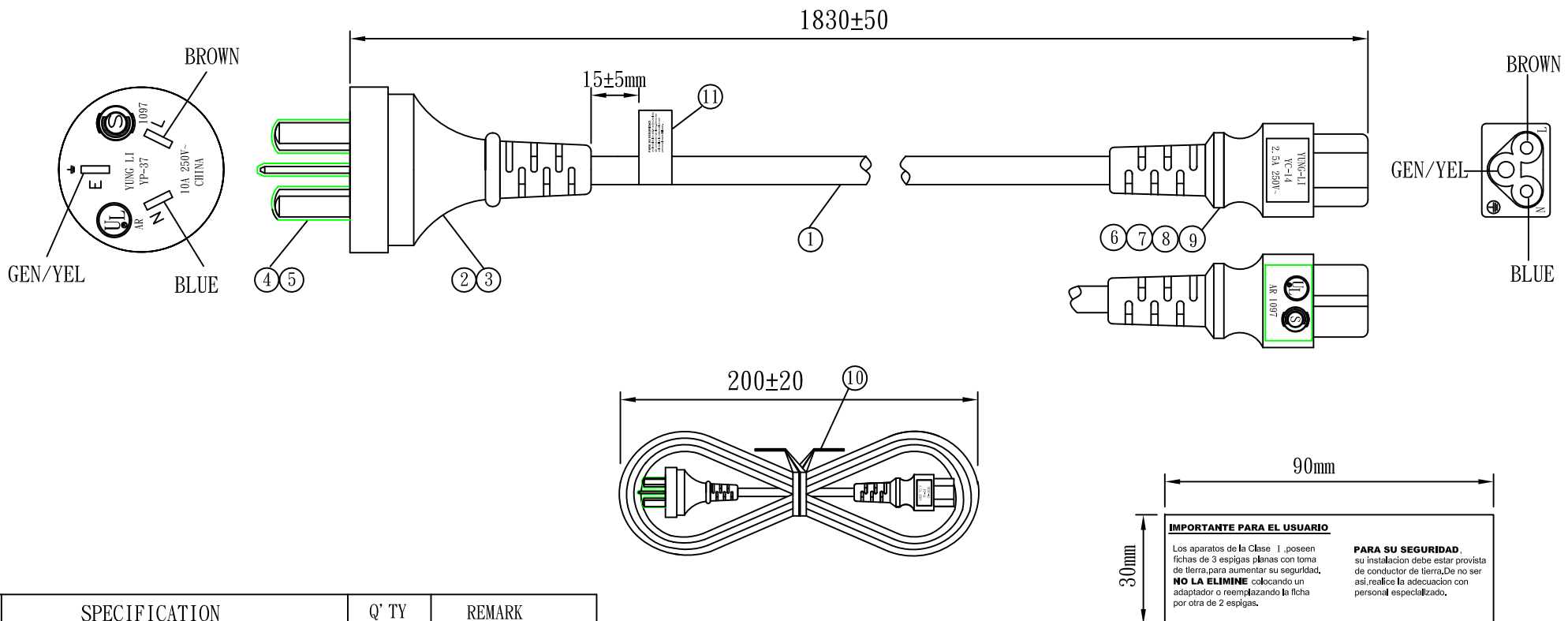
Draw No. :

REVISION RECORD

1		
2		
3		
4		
5		

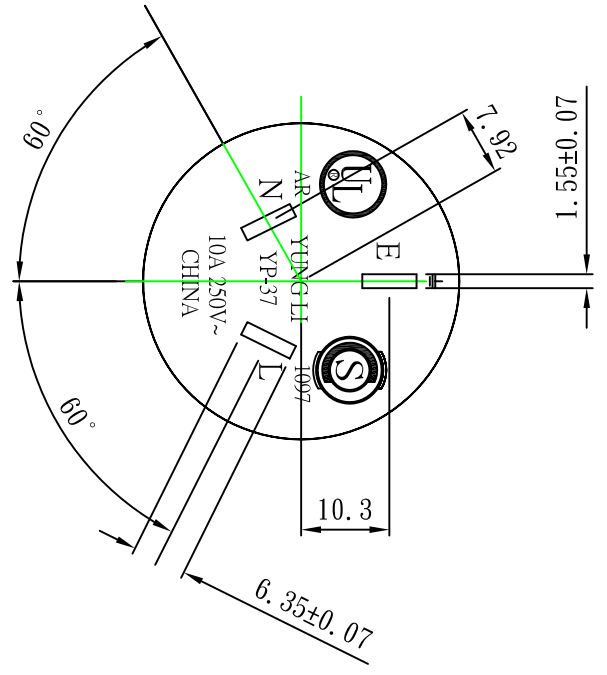
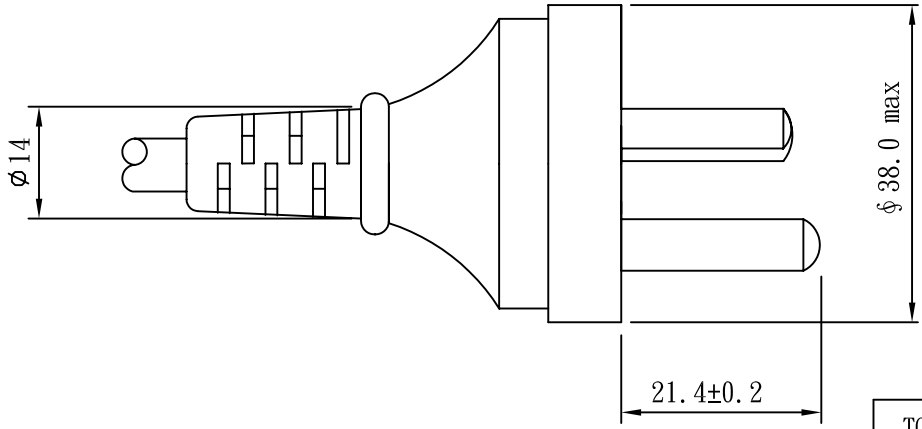
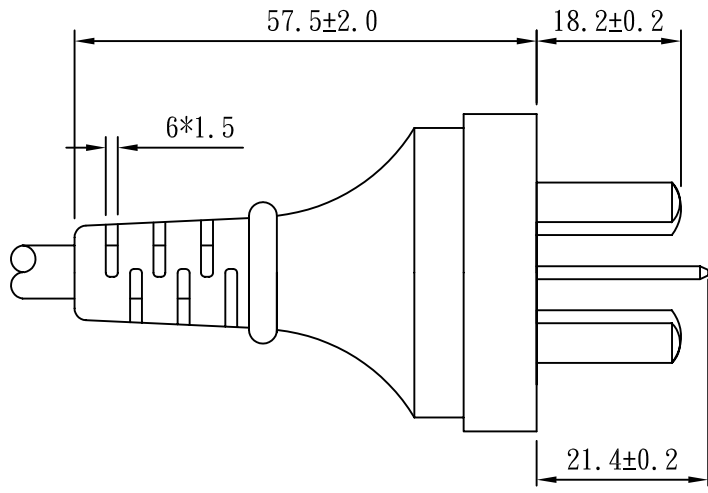
YUNG LI	
CHECKED	PREPARED BY

CUSTOMER	APPROVED

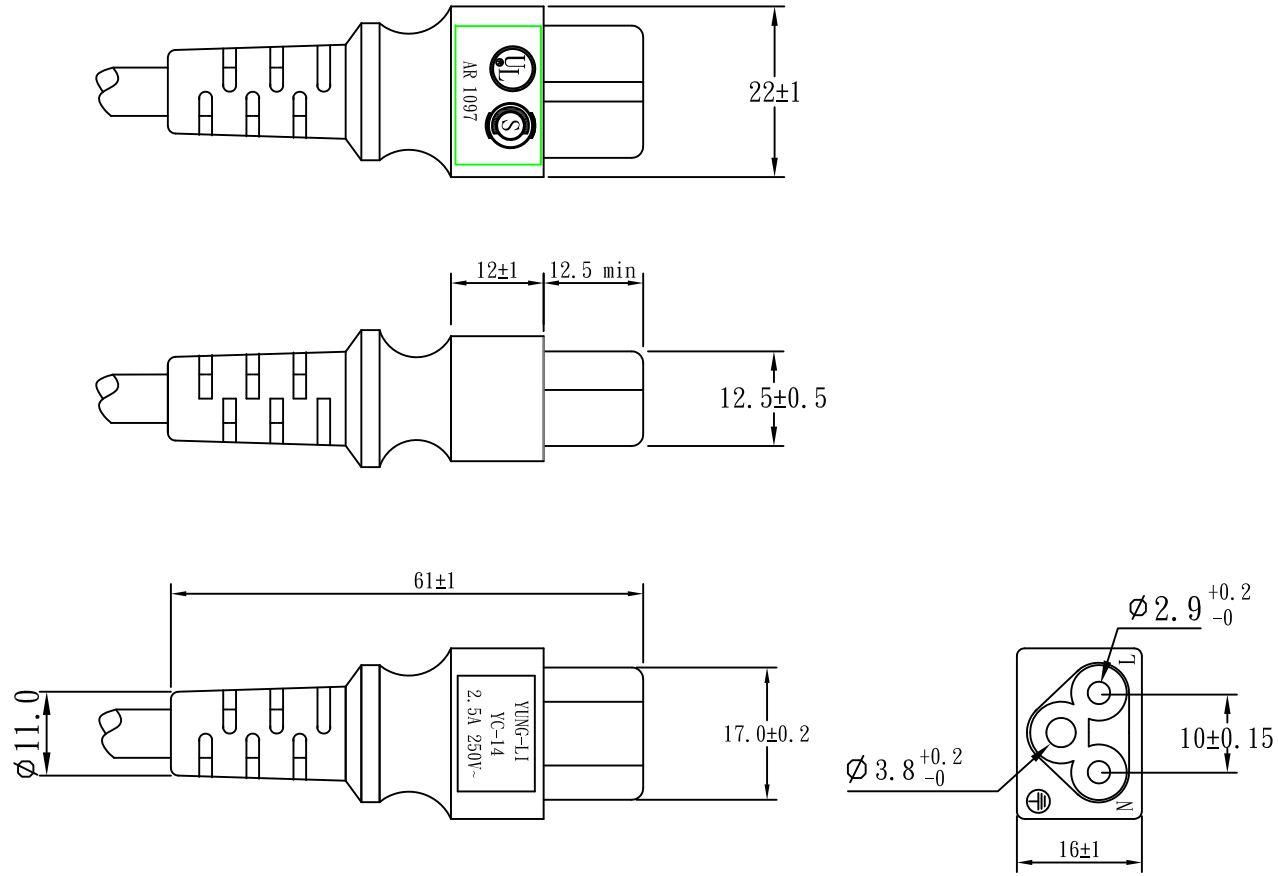
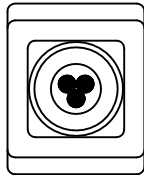


NO.	SPECIFICATION	Q' TY	REMARK
1	H05VV-F 0.75/3G BLACK	1PC	1810±15(YL)
2	YP-37 PVC PLASTIC:50P BLACK	36g/PC	
3	YP-37 INNER BODY	1PC	
4	TER:98658ABS-1	3PCS	
5	SLEEVE WHITE	1PC	
6	YC-14 PVC PLASTIC:50P BLACK	18g/PC	
7	TER:98732PS-0	1PC	
8	TER:98714PS-0	2PCS	
9	H. S. G:YC-14 BLACK	1PC	
10	MINI TIE:L=130mm BLACK	1PC	
11	LABEL:90X30mm	1PC	

Tolerance >0±0.30 >1.0±0.50 >10.0±1.0 >20.0±2.0 Angle: ±1°	Approved		Date		YUNG LI CO., LTD			
	Checked		Date					
	Drawn		Date		Customer	MAG		
	Cat. No.	YP-37/YC-14			P/N.	CB-3-ARG		
	Drawing No.	CY-I0004		Rev.	B	Material	P. V. C	Unit
					Scale			



TOLERANCE >0±0.30 >1.0±0.50 >10.0±1.0 >20.0±2.0 Angle: ±1°	APPROVED		DATE		YUNG LI CO., LTD.			
	CHECKED		DATE					
	DRAWN	黄贵	DATE	07.10.12				
	TYPE	YP-37			P/N			
DRAWING NO				MATERIAL	P.V.C	UNIT	mm	
				SCALE	1:1			



TOLERANCE $>0 \pm 0.30$ $>1.0 \pm 0.50$ $>10.0 \pm 1.0$ $>20.0 \pm 2.0$ Angle: $\pm 1^\circ$	APPROVED		DATE		YUNG LI CO., LTD			
	CHECKED		DATE					
	DRAWN		DATE		CUSTOMER			
	TYPE	YC-14			P/N			
	P/N				MATERIAL	P. V. C	UNIT	mm
	DRAWING NO.			REV	B	SCALE	1:1	

YUNG LI CO., LTD

SPECIFICATION

Yung Li	Style	PVC FLEXIBLE CORDS	Document No
2009.4.28			
Edition	Size	H05VV-F 3G 0.75mm²	Page
A			1/2

1. Standard: IEC 227 IEC228

2. Construction & Dimension

	Item	Specification
Conductor	Size	3G 0.75mm ²
	Material	Annealed Bare Copper
	Construction	24/ 0.2±0.01
Insulation	Material	PVC
	Minimum Average Thickness	0.60mm
	Minimum Thickness at any point	0.44mm
	Diameter	2.35 ± 0.10
	Identification	Blue,Brown,Yellow/Green
Core Assembly	Core Twist	3-Core
	Filler	NA
	Assembly Pair	NA
Taping	Mylar Foil	NA
Shielded	A1-Mylar Foil	NA
Drain	Material	NA
	Construction	NA
Jacket	Material	PVC
	Minimum Average Thickness	0.8mm
	Minimum Thickness at any point	0.58mm
	Overall Diameter(Approx)	6.7 ± 0.15
	Color	Any Color

Marking:

YUNG LI H05VV-F 3G 0.75mm² ◁VDE▷ NF-USE 1347 (NF) KEMA-KEUR △CEBEC ◁ÖVE▷ (D) (FI) (N)
 (S) (S) IEMMEQU Q04083 (CCC) A004049 60227 IEC 53(RVV) 300/500V (K) KTL SU01027-4002

YUNG LI CO., LTD

SPECIFICATION

Yung Li	Style	PVC FLEXIBLE CORDS	Document No
2009.4.28			
Edition	Size	H05VV-F 3G 0.75mm²	Page
A			2/2

4. Electrical & Physical Properties

Item	Specification		
Rating Voltage	70 300/500V		
Conductor resistance(AT 20)	26.0 /Km MAX		
Insulation Resistance(AT 70)	0.011M /Km Min		
Dielectric Strength	AC 2.0 KV / 15 min No Break		
Spark Test	6.0KV		
Insulation	Unaged	Tensile Strength	1.02 kgf/mm ² min
		Elongation	150% Min
	Aged	Tensile Strength	80~120% (80 x168hrs)
		Elongation	80~120% (80 x168hrs)
	Loss of mass Test		2.0mg/cm ² (max)
Jacket	Unaged	Tensile Strength	1.02 kgf/mm ² min
		Elongation	150% Min
	Aged	Tensile Strength	80~120% (80 x168hrs)
		Elongation	80~120% (80 x168hrs)
	Loss of mass Test		2.0mg/cm ² (max)
Deformation Test		70±2 X 4hr 50%	
Cold Bend Test		-15 x 1hr No Crack	
Heat Shock Test		150±2 x 1hr No Crack	

Graph:



UL de Argentina S.R. L.Reconquista 865 Piso 5° A (C1003ABQ), Capital Federal
Buenos Aires, Argentina**CERTIFICADO de UL DE ARGENTINA S.R.L.
UL DE ARGENTINA S.R.L. CERTIFICATE**

N° de Certificado/ Certificate No.

02AR17A01

Página/Page: 1

Producto
Product

Cordón de Alimentación con ficha Argentina

Nombre y dirección del Solicitante
Name and address of the ApplicantYung-Li Co., Ltd.
1F., No. 10, Lane 235, Pao-Chiao Rd., Hsin-Tien 231, Taipei, TaiwanNombre y dirección del Fabricante
Name and address of the ManufacturerYung-Li Co., Ltd.
1F., No. 10, Lane 235, Pao-Chiao Rd., Hsin-Tien 231, Taipei, TaiwanNombre y dirección de la Fábrica(s)
Name and address of the Factory(ries)Yung Li Co Ltd
Da Pu Industrial Zone Chang Ping Town
Dong guan City
Guang dong, 523571 ChinaValores nominales y características principales
Rating and principal characteristics

250 V ac; 10A

Marca
Trade Mark

Yung-Li

Modelo / Referencia de tipo
Model / Type Ref.


YP-57; YP-37

Información adicional:
Additional InformationSe considera que la muestra del producto ensayada cumple con la(s) norma(s)
The tested sample of the product is considered to be in conformity with the standard(s)IRAM 2063 (1982)
IRAM 2073 (1996)según el Informe de Ensayo Numero
according to the Test Report Number

YN-03-02-6187; YN-03-02-6188

1. Este Certificado cubre solamente la muestra ensayada según el informe aquí mencionado, y no abre juicio alguno sobre la producción normal del fabricante.
1. This Certificate covers only the sample tested according to the test report here mentioned, and does not imply any judgement about the normal production of the manufacturer.
2. Este Certificado permite colocar las Marcas de UL de Argentina S.R.L. y de seguridad de la Secretaría de Industria, Comercio y Minería sobre el producto o su embalaje, y en publicidades o papelería del fabricante, importador o distribuidor.
2. This Certificate allows to place the UL de Argentina S.R.L. Secretaria de Industria, Comercio y Minería safety Marks on the product or its package, or any advertisement or stationary of the manufacturer, importer or distributor.

Fecha de emisión / Date of issue: 23/01/2003

Firmas: Ingeniero de proyecto
Signatures: Project engineer
Roberto StazzoniMiembro del Comité
Committee member
Marcelo Taboada

UL de Argentina S.R.L.Reconquista 865 Piso 5° A (C1003ABQ), Capital Federal
Buenos Aires, Argentina**CERTIFICADO de UL DE ARGENTINA S.R.L.
UL DE ARGENTINA S.R.L. CERTIFICATE**N° de Certificado
Certificate No.**03AR149A03**Alcance
Scope**Marca**Página
Page:

1

Producto
Product

Conector para cordón desmontable / Detachable cord connector

Nombre y dirección del Solicitante
Name and address of the ApplicantYung-Li Co., Ltd.
IF., No. 10, Lane 235, Pao-Chiao Rd., Hsin-Tien 231, Taipei, Taiwan, R.O.C.Nombre y dirección del Fabricante
Name and address of the ManufacturerYung-Li Co., Ltd.
IF., No. 10, Lane 235, Pao-Chiao Rd., Hsin-Tien 231, Taipei, TaiwanNombre y dirección de la(s) Fábrica(s)
Name and address of the Factory(ies)Yung Li Co Ltd
Da Pu Industrial Zone Chang Ping Town
Dong guan City, Guang dong, 523571 ChinaValores nominales y características principales
Rating and principal characteristics

250 V ac; 2,5 A

Marca
Trademark

Yung-Li

Modelo / Referencia de tipo
Model / Type Ref.

YC-14

Información adicional:
Additional Information

Standard Sheet C5

Se considera que la muestra del producto ensayada
cumple con la(s) norma(s)
The tested sample of the product is considered to be in
conformity with the standard(s)

IEC 60320-1 2da Edición (2001)

según el Informe de Ensayo Número
according to the Test Report Number

UL-01-04-1388

Este Certificado permite colocar las Marcas de UL de Argentina S.R.L. y de seguridad de la Secretaria de Industria, Comercio y Minería sobre el producto o su embalaje, y en publicidades o papelería del fabricante, importador o distribuidor.

This Certificate allows to place the UL de Argentina S.R.L. Secretaria de Industria, Comercio y Minería safety Marks on the product or its package, or any advertisement or stationery of the manufacturer, importer or distributor.

Fecha de emisión / Date of issue:

16/07/2004

Firmas: Ingeniero de proyecto
Signatures: Project engineer
Eric MiedzowiczMiembro del Comité
Committee member
Gustavo Moyano

VDE Prüf- und Zertifizierungsinstitut

ZEICHENGENEHMIGUNG MARKS APPROVAL

Yung-Li Co. Ltd.
Da Pu Industrial Zone, Cang Zi
Chang Ping Town
523571 DONG GUAN CITY
Guangdong
CHINA

ist berechtigt, für ihr Produkt /
is authorized to use for their product

Flexible Leitung
Flexible cable (cord)

die hier abgebildeten markenrechtlich geschützten Zeichen
für die ab Blatt 2 aufgeführten Typen zu benutzen /
the legally protected Marks as shown below for the types referred to on page 2 ff.



oder/or

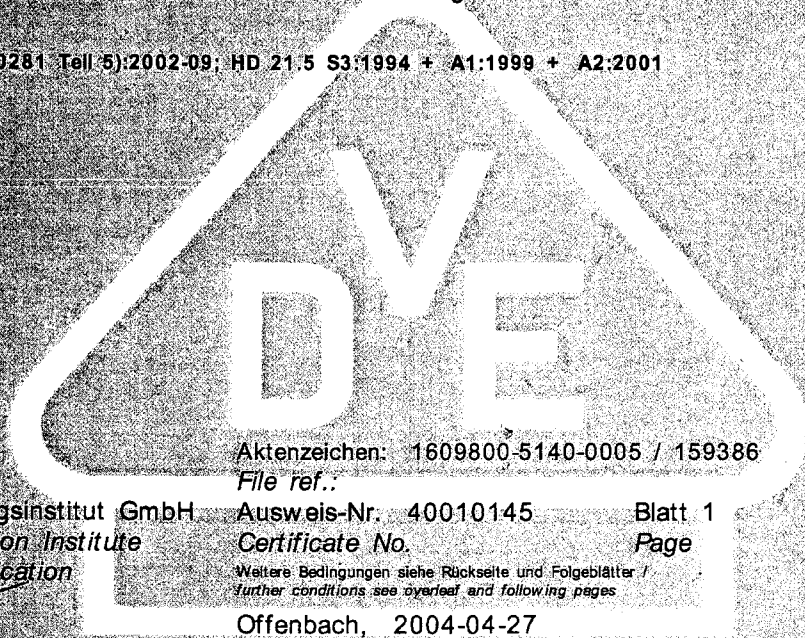


oder/or



Gepprüft und zertifiziert nach /
Tested and certified according to

DIN VDE 0281-5 (VDE 0281 Teil 5):2002-09; HD 21.5 S3:1994 + A1:1999 + A2:2001



Aktenzeichen: 1609800-5140-0005 / 159386

File ref..

VDE Prüf- und Zertifizierungsinstitut GmbH
VDE Testing and Certification Institute
Zertifizierungsstelle / Certification

Ausweis-Nr. 40010145

Blatt 1

Certificate No.

Page

Weitere Bedingungen siehe Rückseite und Folgeblätter /
further conditions see overleaf and following pages

Offenbach, 2004-04-27

(letzte Änderung/updated 2012-03-27)

K. Prohaska

VDE Zertifikate sind nur gültig bei Veröffentlichung unter:
VDE certificates are valid only when published on:

<http://www.vde.com/zertifikat>

<http://www.vde.com/certificate>

VDE



VDE Prüf- und Zertifizierungsinstitut Zeichengenehmigung

Ausweis-Nr. / Blatt /
Certificate No. page
40010145 2

Name und Sitz des Genehmigungs-Inhabers / *Name and registered seat of the Certificate holder*
Yung-Li Co. Ltd., Da Pu Industrial Zone, Cang Zi, Chang Ping Town, 523571 DONG GUAN CITY,
Guangdong, CHINA

Aktenzeichen / *File ref.*
1609800-5140-0005 / 159386 / FG42 / STR

letzte Änderung / *updated* Datum / *Date*
2012-03-27 2004-04-27

Dieses Blatt gilt nur in Verbindung mit Blatt 1 des Zeichengenehmigungsausweises Nr. 40010145
This supplement is only valid in conjunction with page 1 of the Certificate No. 40010145.

Flexible Leitung *Flexible cable (cord)*

Typ(en) / *Type(s)*:

H03VV-F 2...4 x 0,5...0,75 mm ²	+
H03VVH2-F 2 x 0,5...0,75 mm ²	+
H05VV-F 2...5 x 0,75...4 mm ²	+
H05VVH2-F 2 x 0,75...1,0 mm ²	+

Firmenzeichen YUNG LI
Trademark

Dieser Zeichengenehmigungs-Ausweis bildet eine Grundlage für die EG-Konformitätserklärung und CE-Kennzeichnung durch den Hersteller oder dessen Bevollmächtigten und bescheinigt die Konformität mit den grundlegenden Schutzanforderungen der **EG-Niederspannungsrichtlinie 2006/95/EG** mit ihren Änderungen.

This Marks Approval is a basis for the EC Declaration of Conformity and the CE Marking by the manufacturer or his agent and proves the conformity with the essential safety requirements of the EC Low-Voltage Directive 2006/95/EC including amendments.

VDE Prüf- und Zertifizierungsinstitut GmbH
VDE Testing and Certification Institute
Fachgebiet FG42
Section FG42