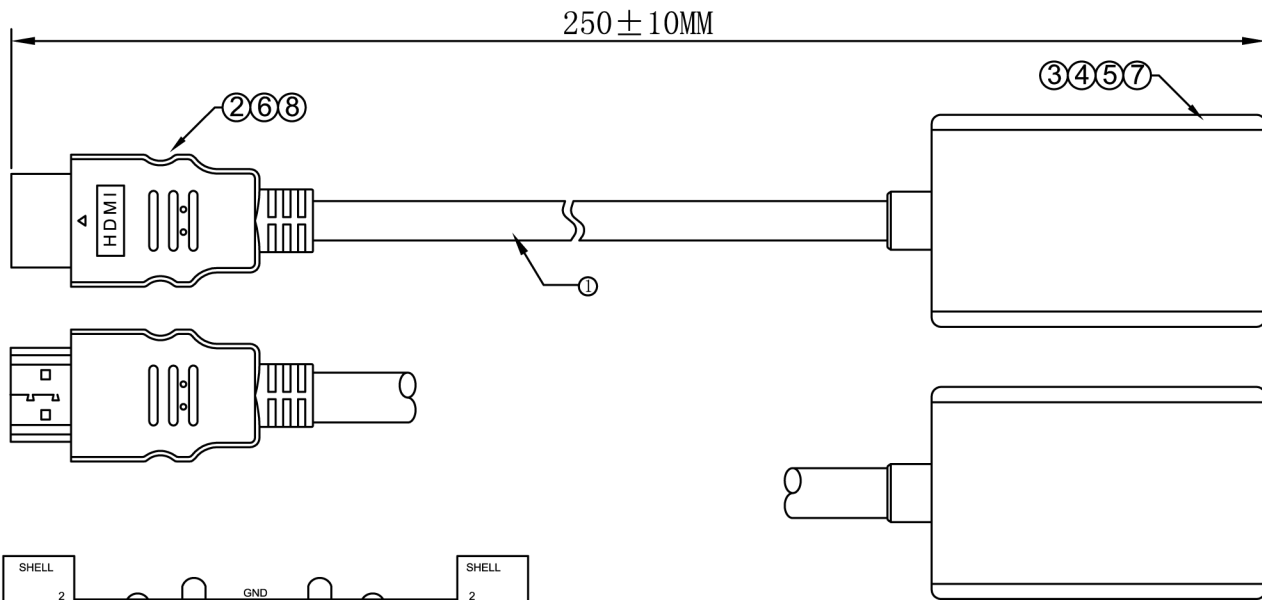
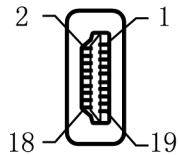


RoHS Compliant

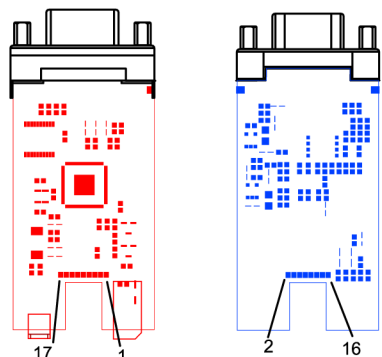
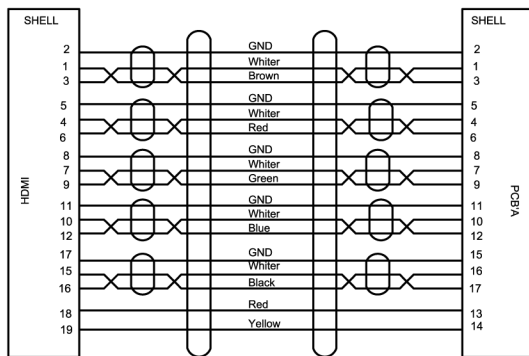
REV	DESCRIPTION OF CHANGE	DATE
A0	INITIAL RELEASE	2012-06-12

P1



HDB-15 FEMALE PLASTIC: BLUE

P2



LT PCB'A

NO.	Material name	Item number	Specifications Description	Quantity
8	PVC	PVC-0001	60P PVC Black	5.10g
7	PVC	PVC-0001	60P PVC Black	2.50g
6	PE	PE-0001	LDPE (RoHS)	1.80g
5	Shell	SL-BK0201	VGA Black smooth shell, with Micro USB charging port +3.5 mm Audio	1 Pcs
4	Lid	SL-BK0202	VGA Black Front shell	1 Pcs
3	Connector	XY-C216-110-N	HDMI to VGA(F) Nickle plated, charging + 3.5 mm Audio	1 Pcs
2	Connector	CN-G0022	HDMI (M) Nickle plated	1 Pcs
1	Cable	DP1-48-3453	UL20276 [(34#*1P+D+AL+MY)*5P+*34#*5C+AL+B16/10/0.08TC], JACKET PVC BLACK OD=4.80±0.15mm L=190+5/0	1 Pcs

图号 (DWG NO)		单位 (UNIT): MM	DINIC	
版次 (REV):	A0	比例 (SCALE) 1:1		
页次 (PAGE):	1/1		TITLE	HDMI M to VGA F+Power+Audio Cable
设计 (DESIGN)	Dean	DIMENSIONS ARE IN MILLIMETERS TOLERANCES: LINEAR: X ± 1.0 X/2 ± 0.5 X/30 ± 0.15 X/300 ± 0.05 ANGULAR: ± 0.5°	PART NO	
审核 (CHECKED)				
批准 (APPROVED)				