




STOCK CODE

A1

EL504S

Barcode **5056313230431**

CABLE REQUIREMENTS:

Colour: BLACK
Type: 3 Core 1.00mm² H05 VV-F (European Approved)
Conductor Colour Codes:
 Earth (Green & Yellow) 
 Neutral (Blue) 
 Live (Brown) 

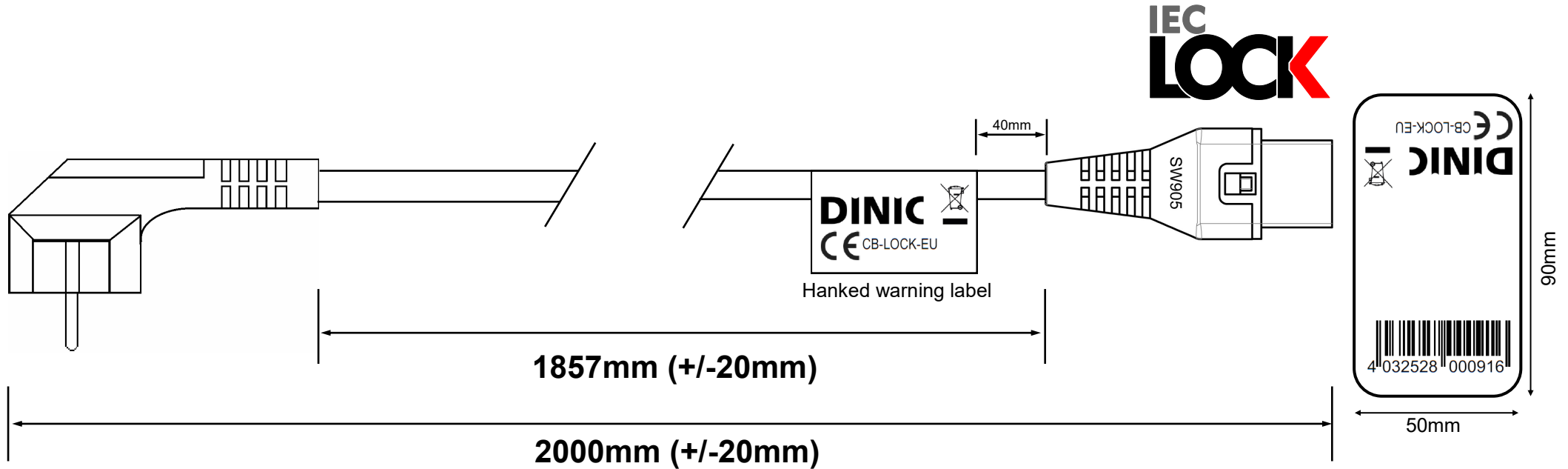
Complete Powerlead Rated: 10A/250V

PLUG / END A REQUIREMENTS:

Type: SW102
Colour: BLACK
Rating: 16A
Reference: R/A Schuko (European Approved)

CONNECTOR / END B REQUIREMENTS:

Type: SW905
Colour: BLACK
Rating: 10A
Reference: C13 IEC Connector (European Approved)



EXTRA REQUIREMENTS:

PACKAGING OUTER100
 PIN PROTECTING COVERNO
 WIRING INSTRUCTIONSNO
 PRE-SHIPMENT INSPECTION REQUIRED....NO

COMMENTS:

CHANGE MANAGEMENT:

HANKING

None

TERMINATIONS / FURTHER COMMENTS:

Each Power Lead to be individually polybagged.